

## 2-Gang SIP Access Control Intercom



### Description

Weatherized outdoor IP intercom designed and manufactured in the USA. With the highest quality two-way audio in the industry, it is perfect for use in schools and universities, warehouses, secure locations, parking garages, and retail locations. Using PoE power, installation is simple and secure with the included vandal resistant security screws. Quickly configure each unit using the included Web interface that can be accessed from any device on the local network with an internet browser.

### Features:

- SIP compliant
- PoE 802.3af enabled (Power-over-Ethernet)
- Environmental noise suppression
- Full-duplex audio with Acoustic Echo Cancellation (AEC)
- Fully configurable via webpages
- Security screws included
- Peer-to-peer SIP capable
- Can act as a paging speaker
- On-board driver for door latches
- Mic and speaker volume control
- IP65 weather protection (conformal coated internal circuitry)

**Job Name:**  **Model Numbers:**  **Date:**

**Location:**  **Notes:**

## Specifications

- Ethernet: 10/100 Mbps (Can force 10Mbps full-duplex)
- Protocol: SIP RFC 3261 compatible
- Temperature Range: -40°C to +85°C
- Audio Codecs: G.711, G.726 (16/24/32/40kbps), G.722, DVI4 (narrow/HD/Ultra HD), iLBC, Speex, SILK
- Audio Sampling: Up to 48KHz
- Dimensions: 5.11" x 5.17" x 2.81" (H x W x D)
- Warranty: 2 years limited
- Regulatory Compliance: FCC Class B
- Power Input: PoE 802.3af

## Model Numbers

Wahsega Labs	Intercom	Mount	SIP	Options	Color
<b>WL</b>	<b>IC</b>	<b>2GANG</b>	<b>SIP</b>	<b>OV</b>	
Wahsega Labs	Intercom	2GANG = 2-Gang	SIP	<p>O = Outdoor V = Vandal Resistant  NB = No Button 2B = Two Buttons</p>	Blank = Brushed Metal

### **WL-IC-2GANG-SIP-OV**

Wahsega Labs

Intercom

2-Gang

SIP

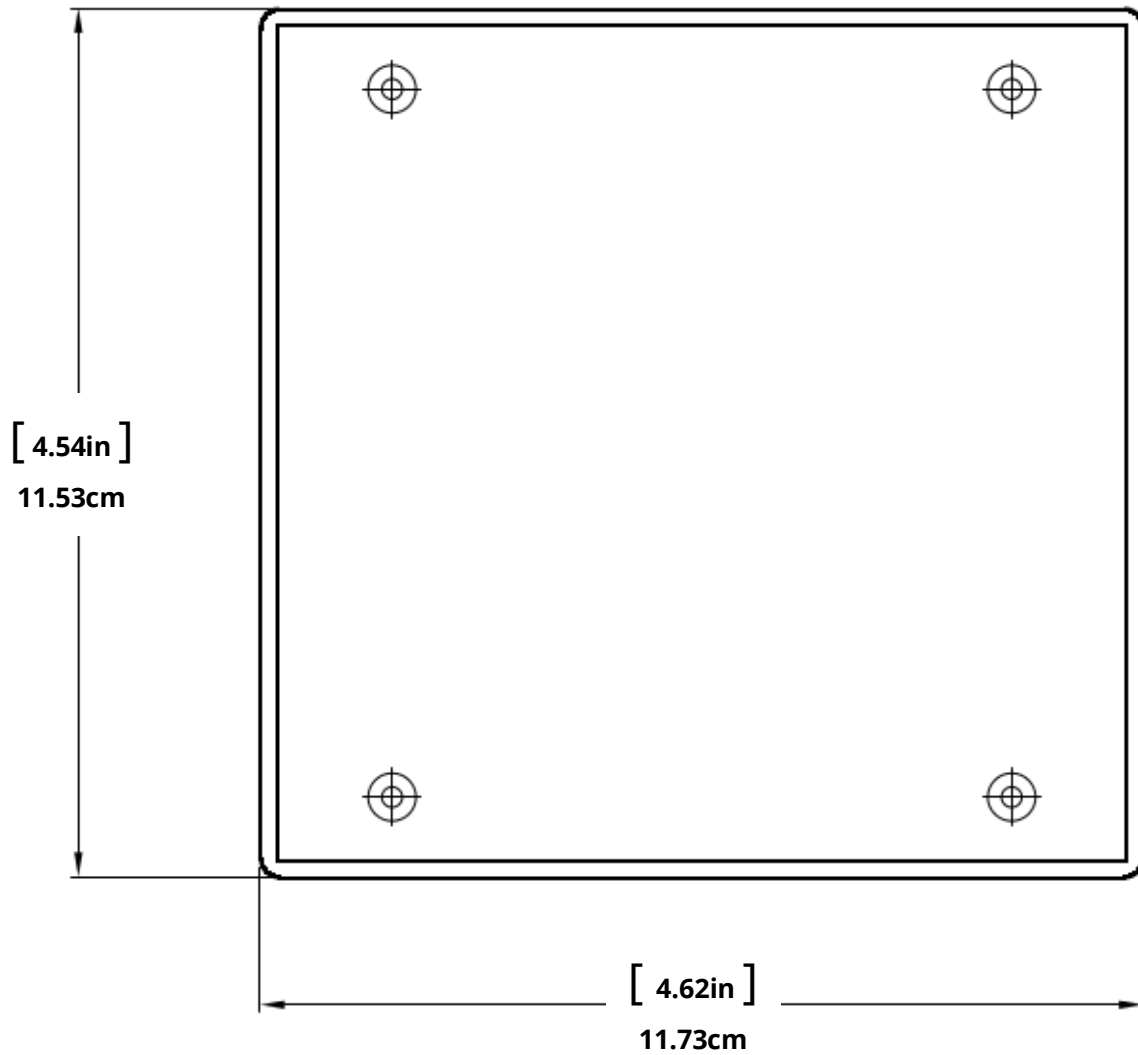
Outdoor

Vandal Resistant

**Job Name:**  **Model Numbers:**  **Date:**

**Location:**  **Notes:**

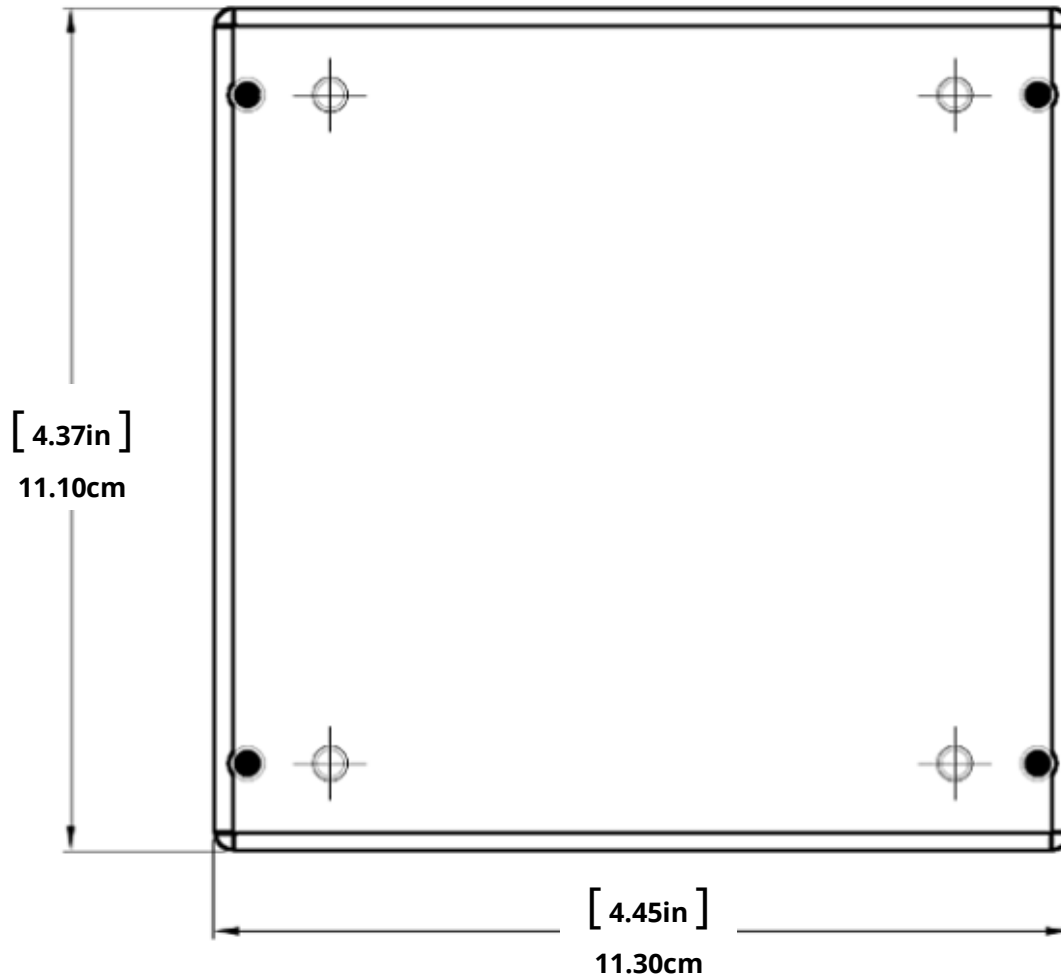
## Dimensions



WL-IC-2GANG-SIP-OV  
Front view

Job Name:  Model Numbers:  Date:

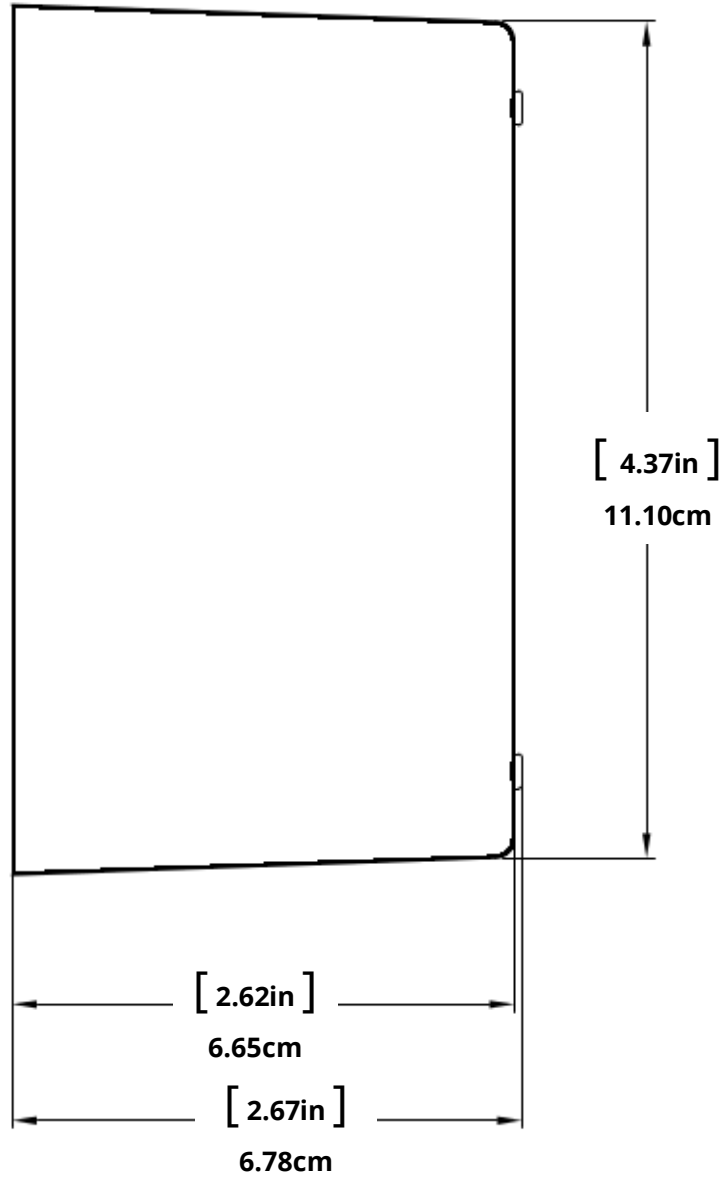
Location:  Notes:



WL-IC-2GANG-SIP-OV  
Rear view

Job Name:  Model Numbers:  Date:

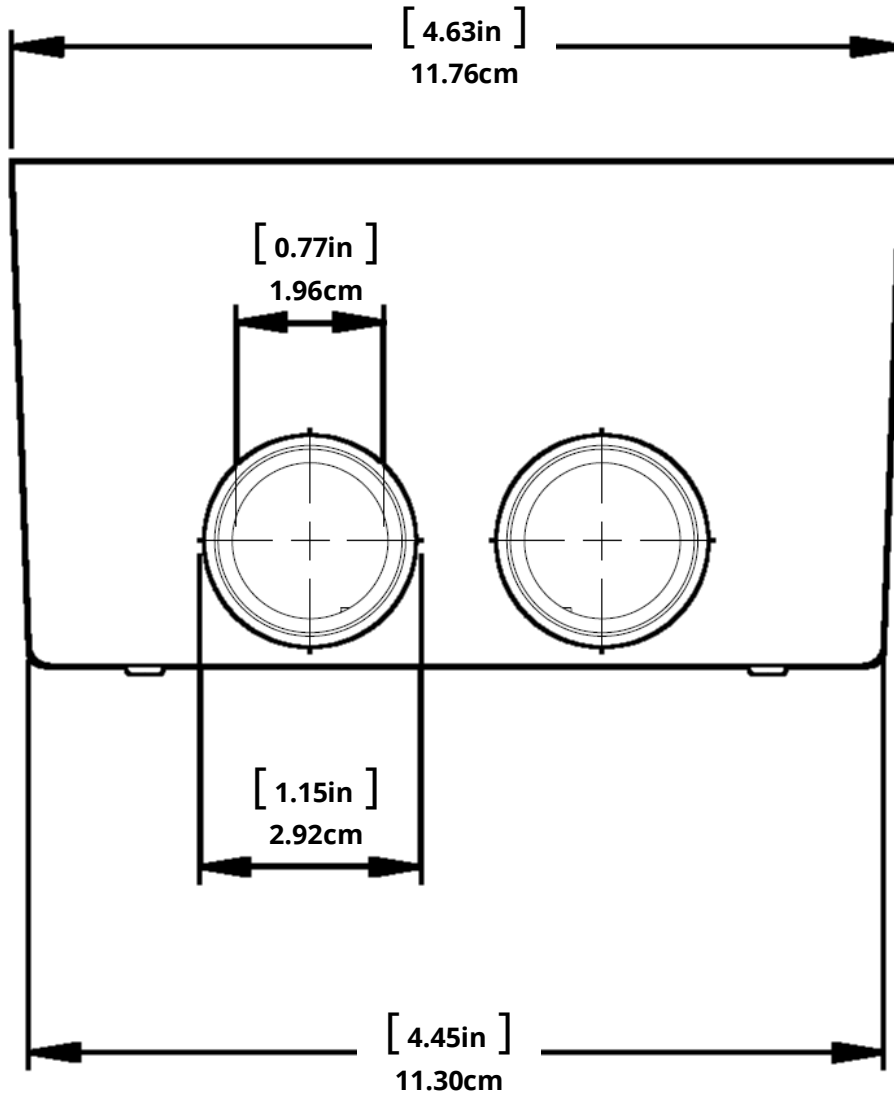
Location:  Notes:



WL-IC-2GANG-SIP-OV  
Side view

Job Name:  Model Numbers:  Date:

Location:  Notes:

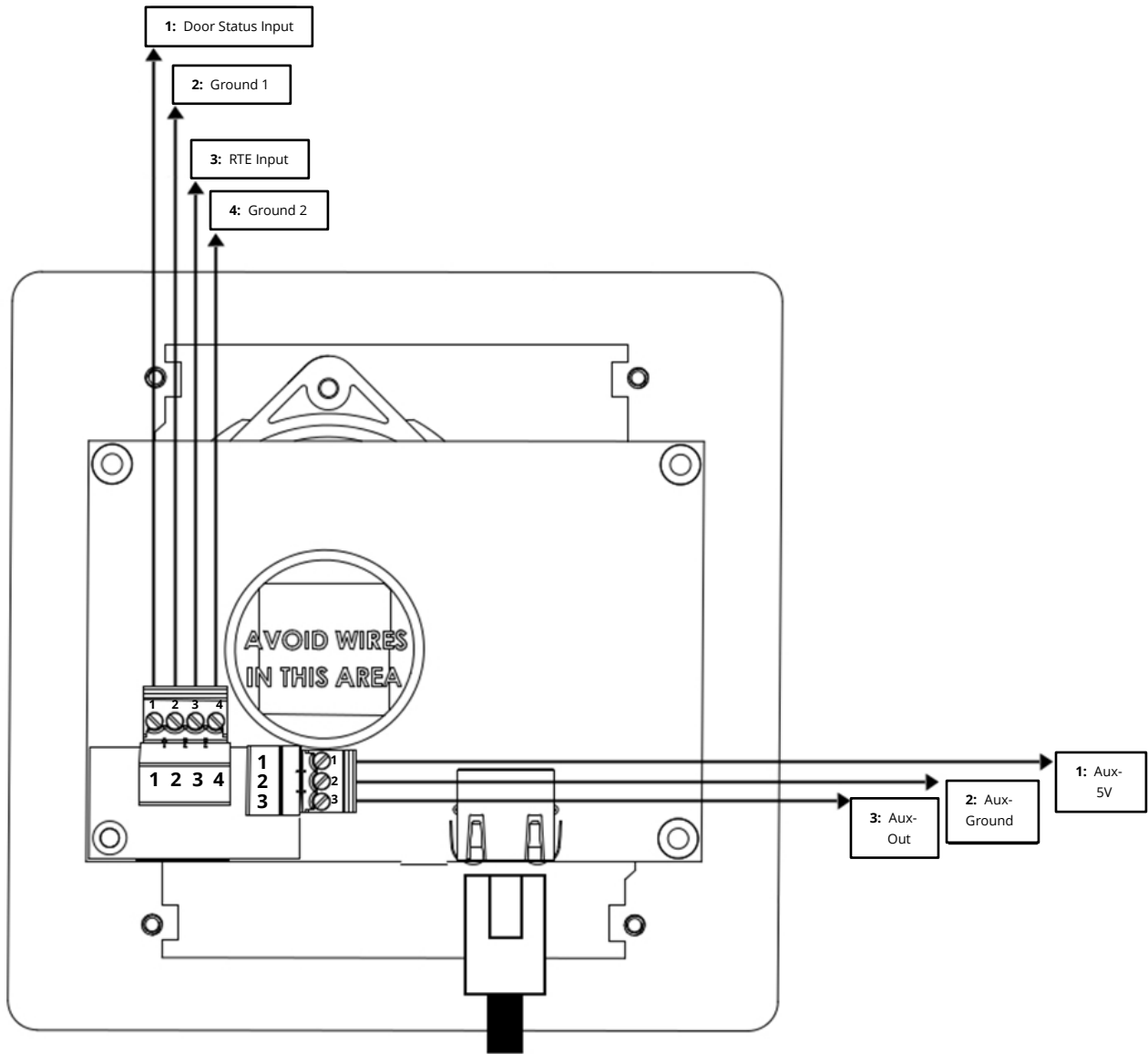


WL-IC-2GANG-SIP-OV  
Bottom view

Job Name:  Model Numbers:  Date:

Location:  Notes:

## Class 2 (PELV) Terminal Connections



**NOTE:** Ethernet cable can ONLY be installed in the orientation shown.

Job Name:  Model Numbers:  Date:

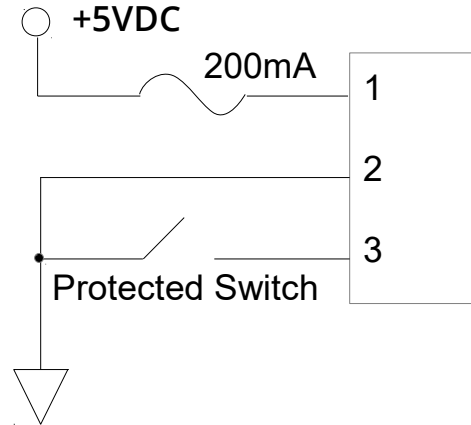
Location:  Notes:

## Auxiliary Output (Door Control) Wiring

**Pin 1:** 200mA fused 5V DC – to external relay

**Pin 2:** Ground

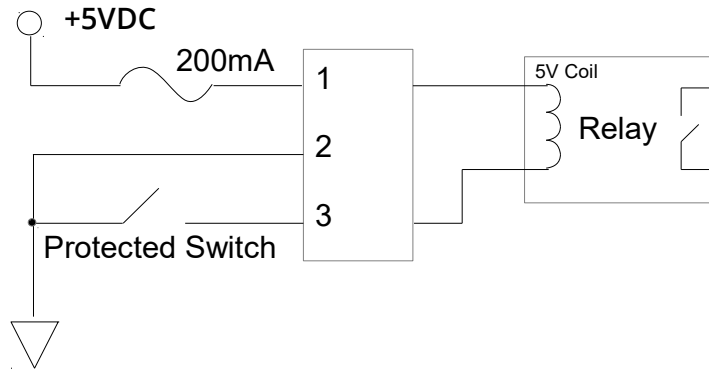
**Pin 3:** Connect to external devices up to 24V DC  
Can sink up to 1.5A



### External Relay

**Pin 1:** 5V DC relay coil high side  
(if polarized)

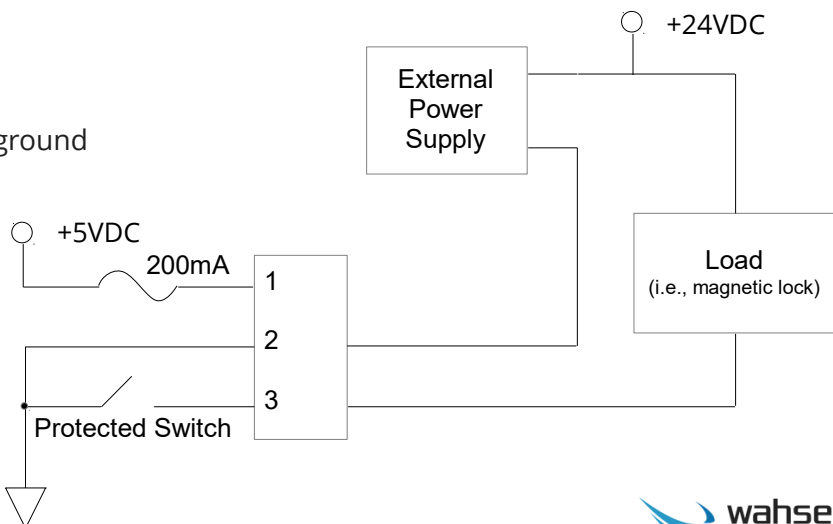
**Pin 3:** 5V DC relay coil low side



### Externally Powered DC Device

**Pin 2:** External power supply ground

**Pin 3:** Ground return path  
for external load  
(e.g., magnetic lock)



Job Name:  Model Numbers:  Date:

Location:  Notes:



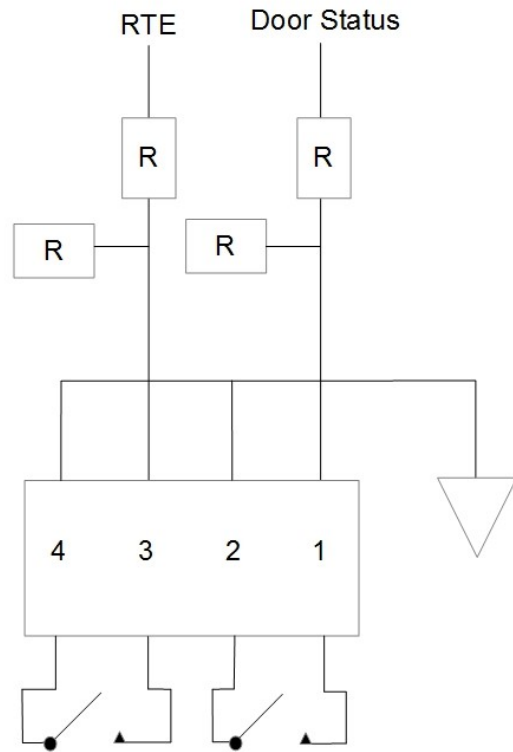
## Door Status Monitor & Request to Exit (RTE) Button Wiring

**Pin 1:** Door status monitor line.  
Wired as ground/open button or switch.  
Connect to NO of an SPDT.

**Pin 2:** Door status ground reference pin.  
Connect to Common.

**Pin 3:** RTE button and/or motion exit sensor.  
Can be wired as ground/open button or switch. Connect to the NO of an SPDT.

**Pin 4:** RTE ground reference pin.  
Connect to Common.



**NOTE:** The RTE input can be wired in parallel with an RTE button and an exit motion sensor. Both RTE and door status inputs go to Normally Open (NO) connections on corresponding devices.

Job Name:  Model Numbers:  Date:

Location:  Notes: