

Back Mount SIP Access Control Intercom with Relay



Description

Weatherproof outdoor IP intercom designed and manufactured in the USA. With the highest quality two-way audio in the industry, it is perfect for use in loud manufacturing plants, warehouses, secure outdoor locations, parking garages and multi-tenant office spaces. Greet visitors from any phone on the existing PBX and unlock doors or gates with a simple DTMF code. With PoE power, a durable steel housing and the included vandal resistant security screws, installation is simple and secure. Four bolt holes are located on the rear of the box for mounting on standard gooseneck pedestals. Quickly configure each unit using the included Web interface, accessible with a browser from any device on the local network. One-button, two-button and no-button models all available with optional weather hood. *Note: Ethernet cable may only be connected through the rear conduit access for this model.*

Features:

- SIP Compliant
- PoE 802.3af enabled (Power-over-Ethernet)
- Environmental noise suppression
- Full-duplex audio with Acoustic Echo Cancellation (AEC)
- Fully configurable via webpages
- Security screws included
- Peer-to-peer SIP capable
- Paging speaker function
- On-board relay for door latches
- Mic and speaker volume control
- IP65 weather protection (conformal coated internal circuitry)
- Optional weather hood

Job Name: Model Numbers: Date: Location: Notes:

Specifications

- Ethernet: 10/100 Mbps (Can force 10Mbps Full-Duplex)
- Protocol: SIP RFC 3261 Compatible
- Temperature Range: -40°C to +85°C
- Audio Codecs: G.711, G.726 (16/24/32/40kbps), G.722, DVI4 (narrow/HD/Ultra HD), iLBC, Speex, SILK
- Audio Sampling: Up to 48KHz
- Form C (SPDT) Relay Contact Closure Rating: 30VDC or 270VAC, 3A
- Dimensions: 5.96" x 5.88" x 2.88" (H x W x D)
- Warranty: 2 years limited
- Regulatory Compliance: FCC Class B
- Power Input: PoE 802.3af

Model Numbers

Wahsega Labs	Intercom	Mount	SIP	Options	Color	Relay
WL	IC	BKMT	SIP	OV		R
Wahsega Labs	Intercom	2GANG = 2-Gang BKMT = Back Mount FLMT = Flush Mount	SIP	O = Outdoor I = Indoor V = Vandal Resistant (Outdoor only) NB = No Button 2B = Two Buttons	Blank = Brushed Metal W = White Glossy (Interior only)	Relay

WL-IC-2GANG-SIP-OV-R

Wahsega Labs
Intercom
2-Gang
SIP
Outdoor
Vandal Resistant
Brushed Metal
with Relay

WL-IC-BKMT-SIP-OV-R

Wahsega Labs
Intercom
Back Mount
SIP
Outdoor
Vandal Resistant
Brushed Metal
with Relay

WL-IC-FLMT-SIP-I-W-R

Wahsega Labs
Intercom
Flush Mount
SIP
Indoor
White
with Relay

Available Back Mount SIP Access Control Intercom with Relay Model Numbers:

WL-IC-BKMT-SIP-OV-R
WL-IC-BKMT-SIP-OVNB-R
WL-IC-BKMT-SIP-OV2B-R

Optional Weather Hood (back mount only):

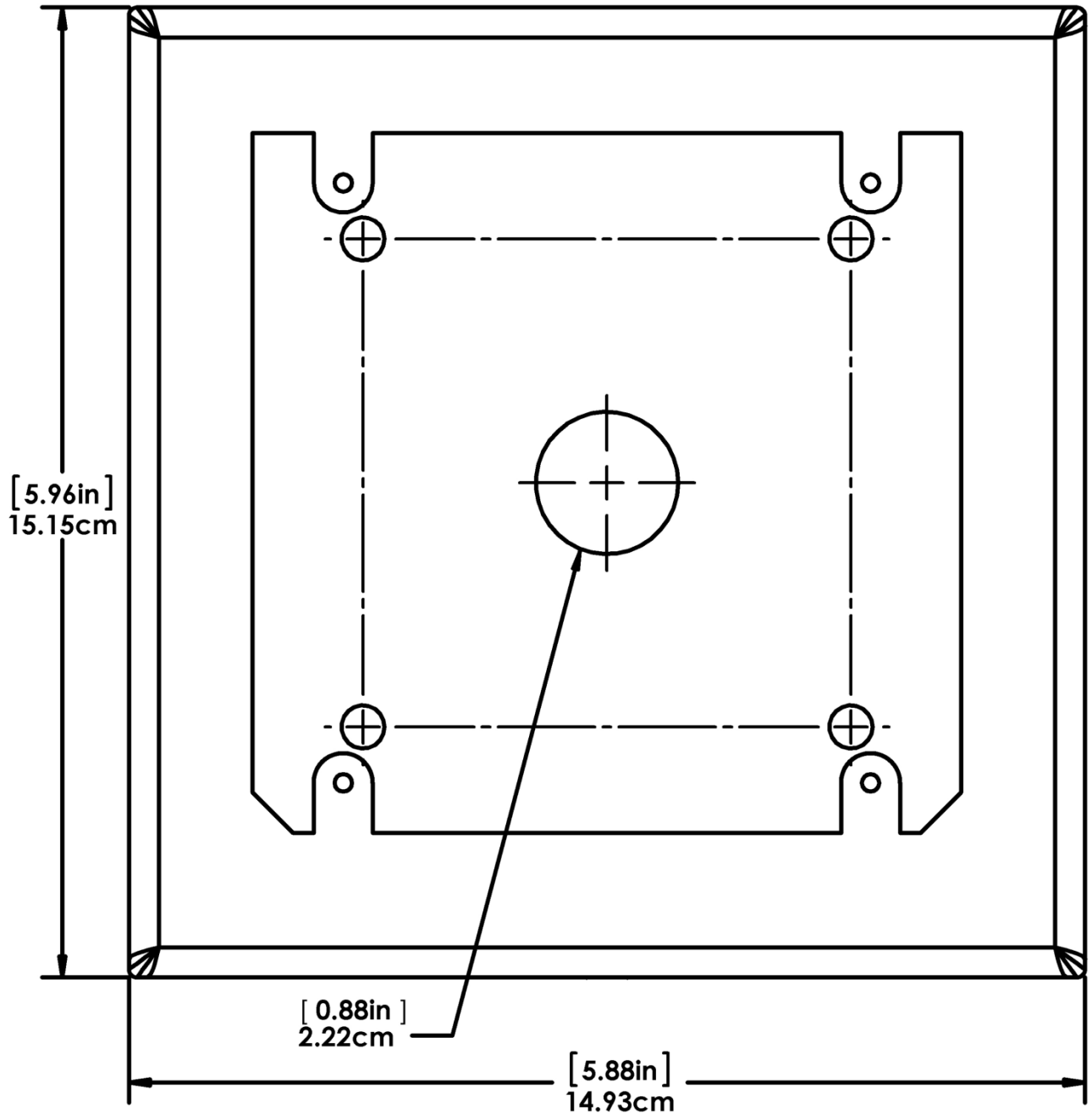
WL-BKMT-HOOD-OV



Job Name: Model Numbers: Date:

Location: Notes:

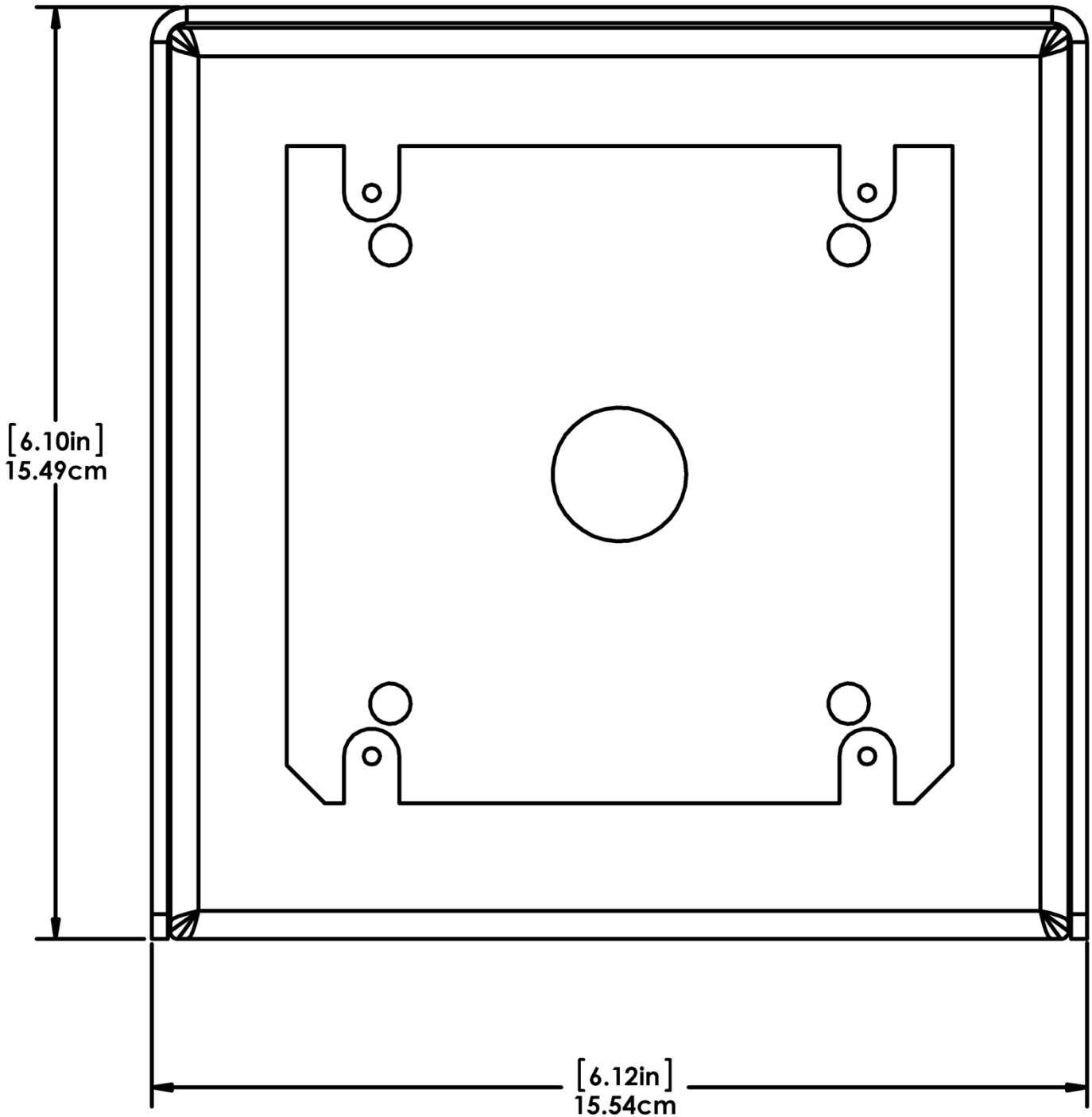
Dimensions



WL-IC-BKMT-SIP-OV-R
Front view

Job Name: Model Numbers: Date:

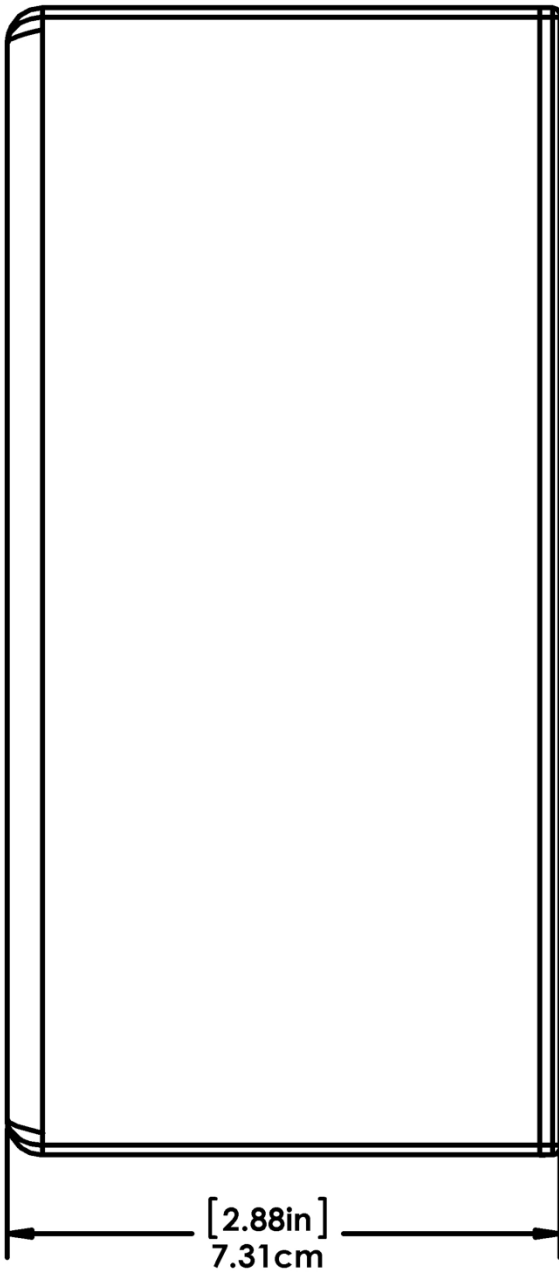
Location: Notes:



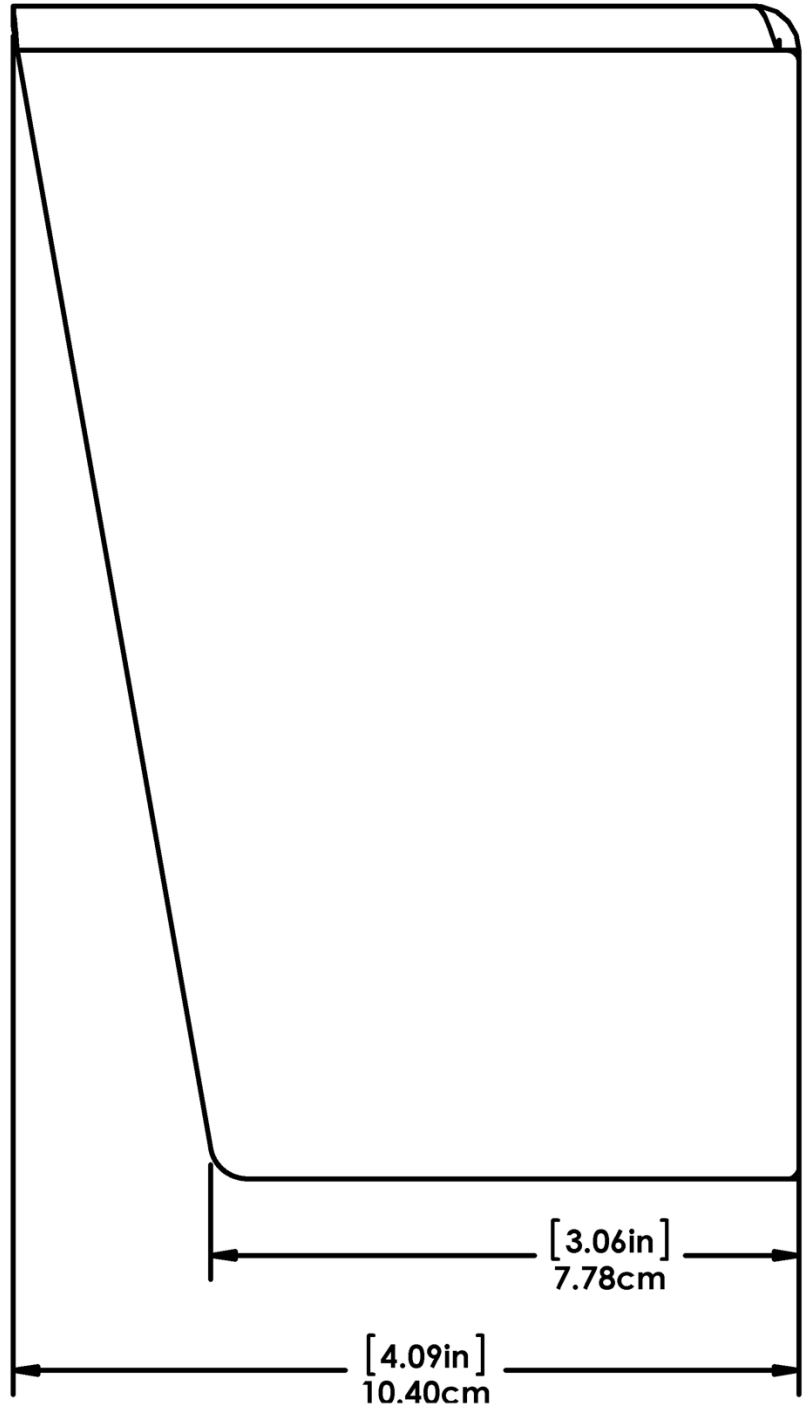
WL-IC-BKMT-SIP-OV-R
Front view with weather hood

Job Name: Model Numbers: Date:

Location: Notes:



WL-IC-BKMT-SIP-OV-R
Side view

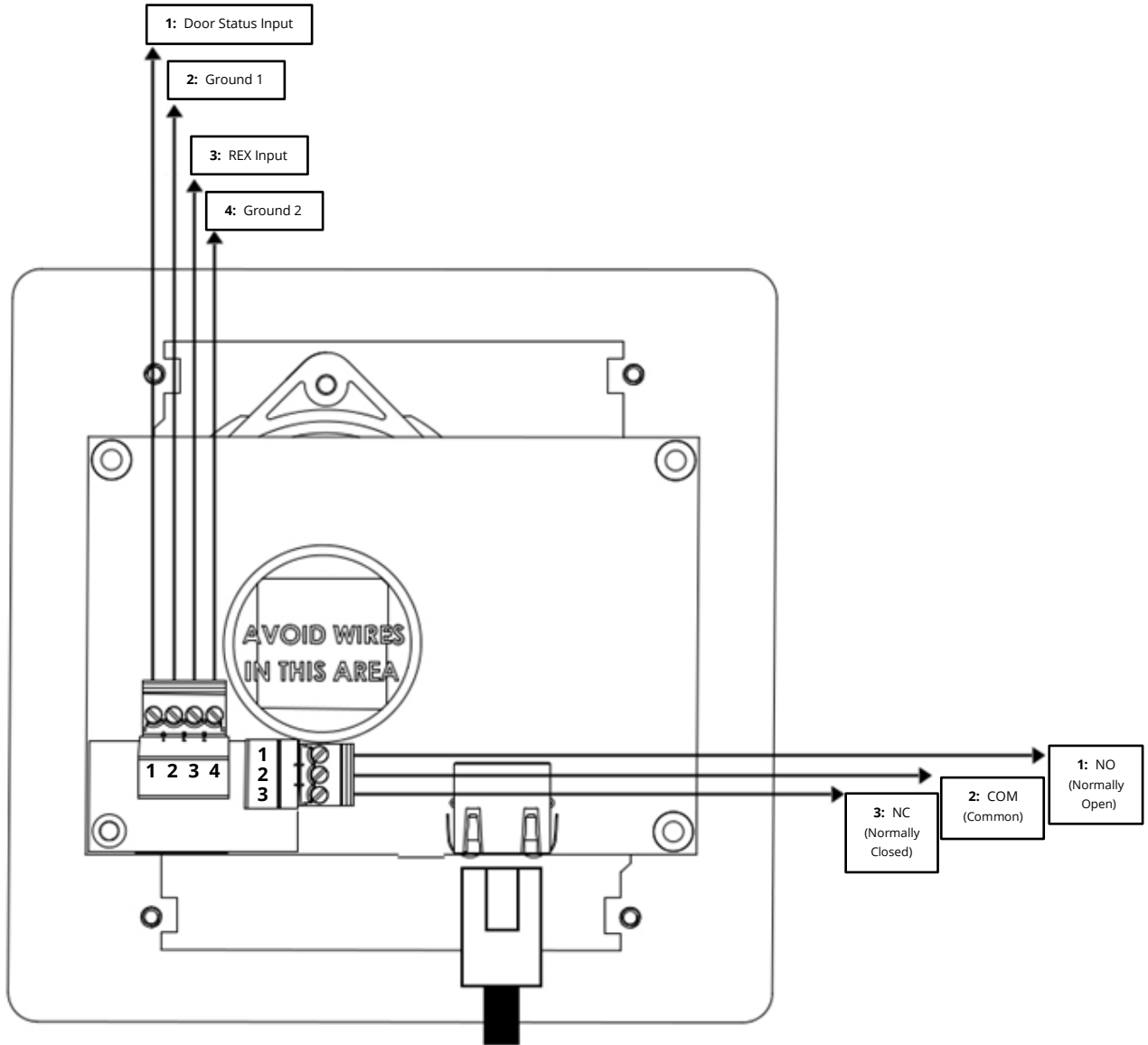


WL-IC-BKMT-SIP-OV-R
Side view with weather hood

Job Name: Model Numbers: Date:

Location: Notes:

Class 2 (PELV) Terminal Connections



NOTE: Ethernet cable can ONLY be installed in the orientation shown.

Job Name: Model Numbers: Date:

Location: Notes:

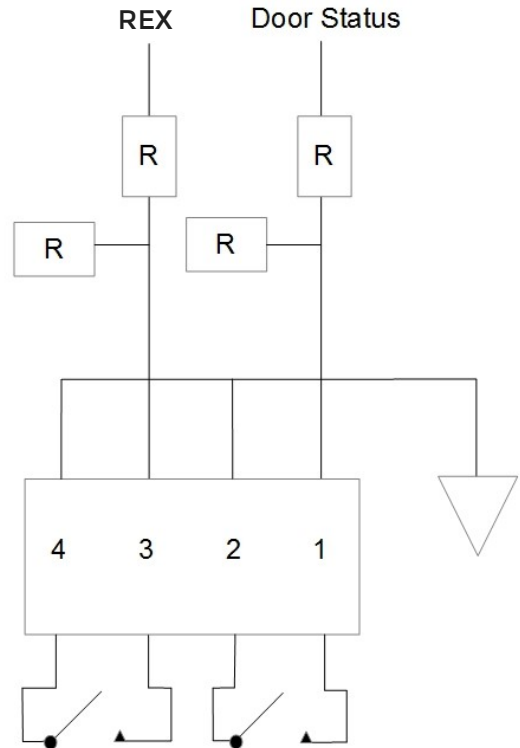
Door Status Monitor & Request to Exit (REX) Button Wiring

Pin 1: Door status monitor line.
Wired as ground/open button or switch.
Connect to NO of an SPDT.

Pin 2: Door status ground reference pin.
Connect to Common.

Pin 3: REX button and/or motion exit sensor.
Can be wired as ground/open button or switch. Connect to the NO of an SPDT.

Pin 4: REX ground reference pin.
Connect to Common.



NOTE: The REX input can be wired in parallel with an REX button and an exit motion sensor. Both REX and door status inputs go to Normally Open (NO) connections on corresponding devices.

Job Name: Model Numbers: Date:

Location: Notes: