

Flush Mount InformaCast® Access Control Intercom



Description

InformaCast®-enabled indoor IP intercom designed and manufactured in the USA. With IP paging capabilities and dual registration with both a SIP PBX and an InformaCast server, the Wahsega Access Control Intercom with InformaCast provides multiple solutions from a single IP endpoint. Installation and configuration are quick and easy with PoE power and an included Web interface accessible from any device with an internet browser on the local network. For added security, vandal resistant security screws are also available. With the highest quality two-way audio in the industry, it is perfect for use in schools and universities, warehouses, secure locations, parking garages, and retail locations. Available in one-button, two-button and no-button models. *Electrical junction box enclosure not included.*

Features:

- Dual registration (SIP and InformaCast)
- PoE 802.3af enabled (Power-over-Ethernet)
- Environmental noise suppression
- Full-duplex audio with Acoustic Echo Cancellation (AEC)
- Fully configurable via webpages
- Peer-to-peer SIP capable
- IP paging speaker feature
- Mic and speaker volume control
- Optional security screws available

Job Name:

Model Numbers:

Date:

Location:

Notes:

Specifications

- Ethernet: 10/100 Mbps (Can force 10Mbps Full-Duplex)
- Protocol: SIP RFC 3261 Compatible
- Temperature Range: -40°C to +85°C
- Audio Codecs: G.711, G.726 (16/24/32/40kbps), G.722, DVI4 (narrow/HD/Ultra HD), iLBC, Speex, SILK
- Audio Sampling: Up to 48KHz
- Dimensions: 5.11" H x 5.17" W x 2.81" D
- Backbox required: 4 11/16" H x 4 11/16" W x **minimum** 2 1/2" D
- Warranty: 2 years limited
- Regulatory Compliance: FCC Class B
- Power Input: PoE 802.3af

Model Numbers

Wahsega Labs	Intercom	Mount	InformaCast	Options	Color
WL	IC	FLMT	INF	I	W
Wahsega Labs	Intercom	2GANG = 2-Gang BK = Back FL = Flush MT = Mount	InformaCast®	O = Outdoor I = Indoor V = Vandal Resistant (Outdoor only) NB = No Button 2B= Two Buttons	W = White Glossy (Interior only) Blank = Gray Powdercoat

WL-IC-2GANG-INF-OV

Wahsega Labs
 Intercom
 2-Gang
 InformaCast
 Outdoor
 Vandal Resistant

WL-IC-BKMT-INF-OV

Wahsega Labs
 Intercom
 Back Mount
 InformaCast
 Outdoor
 Vandal Resistant

WL-IC-FLMT-INF-I-W

Wahsega Labs
 Intercom
 Flush Mount
 InformaCast
 Indoor
 White

Job Name:

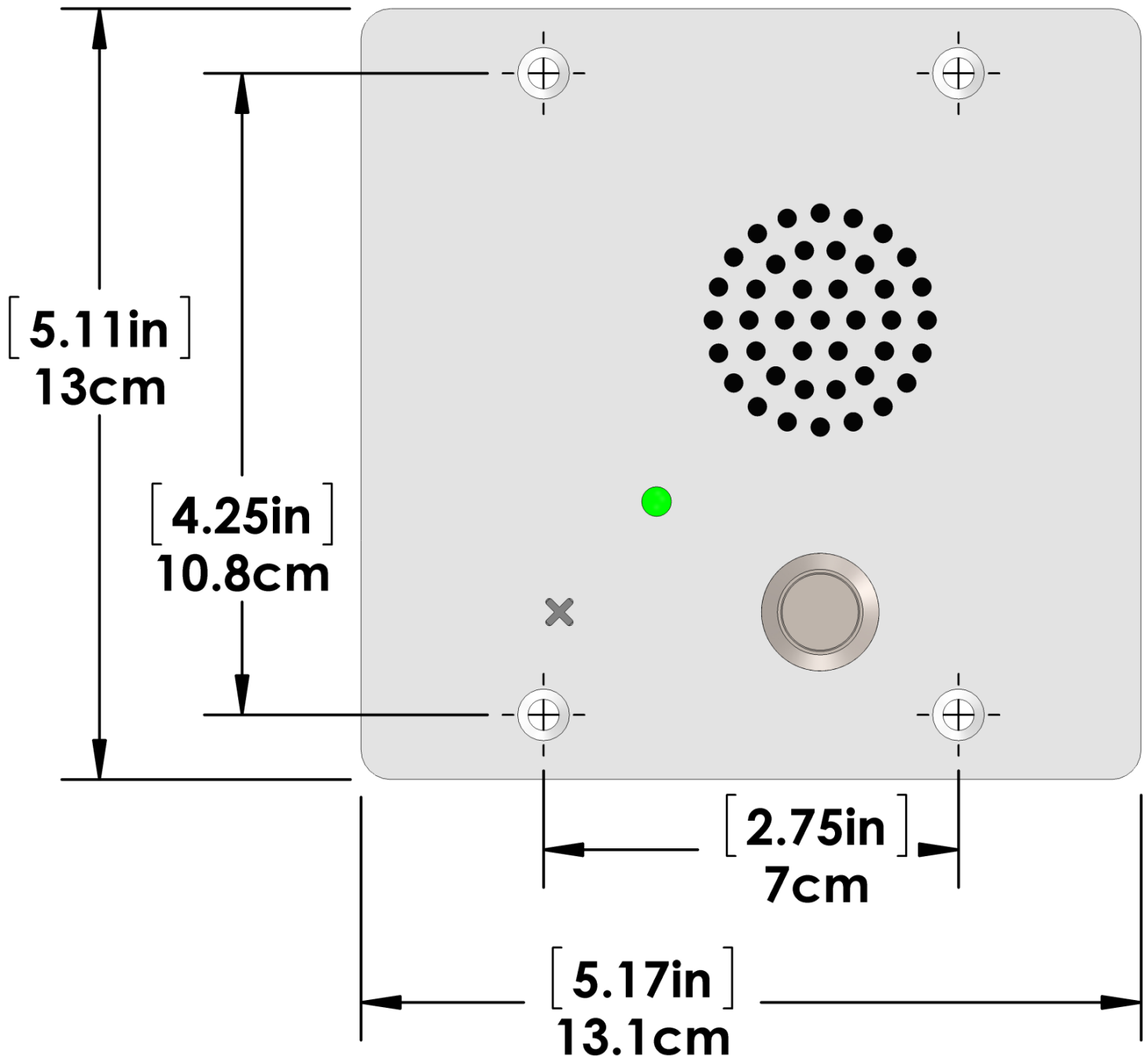
Model Numbers:

Date:

Location:

Notes:

Dimensions



WL-IC-2GANG-INF-OV

Front view

(to scale)

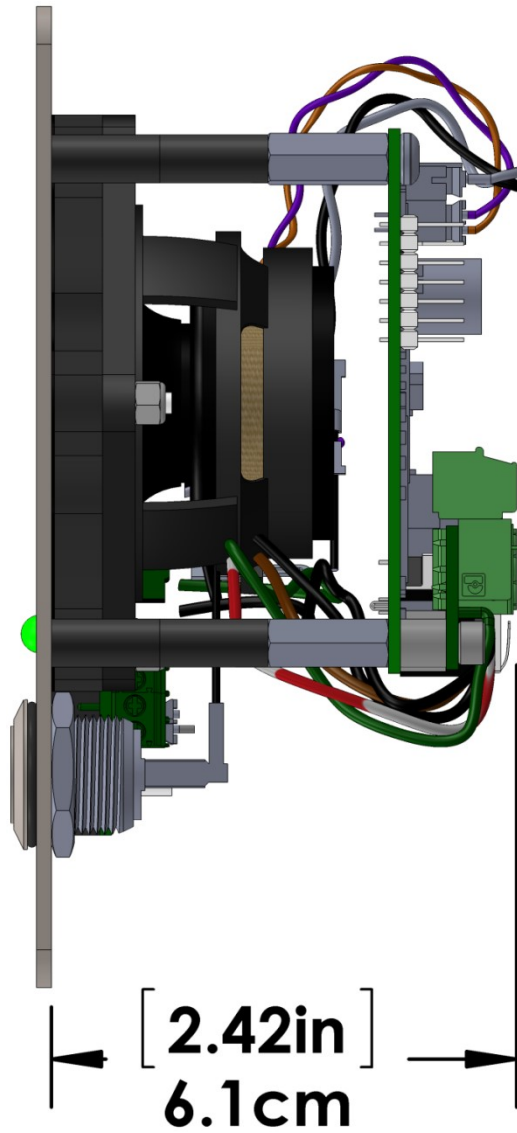
Job Name:

Model Numbers:

Date:

Location:

Notes:



WL-IC-2GANG-INF-OV
Side view
(to scale)

Job Name:

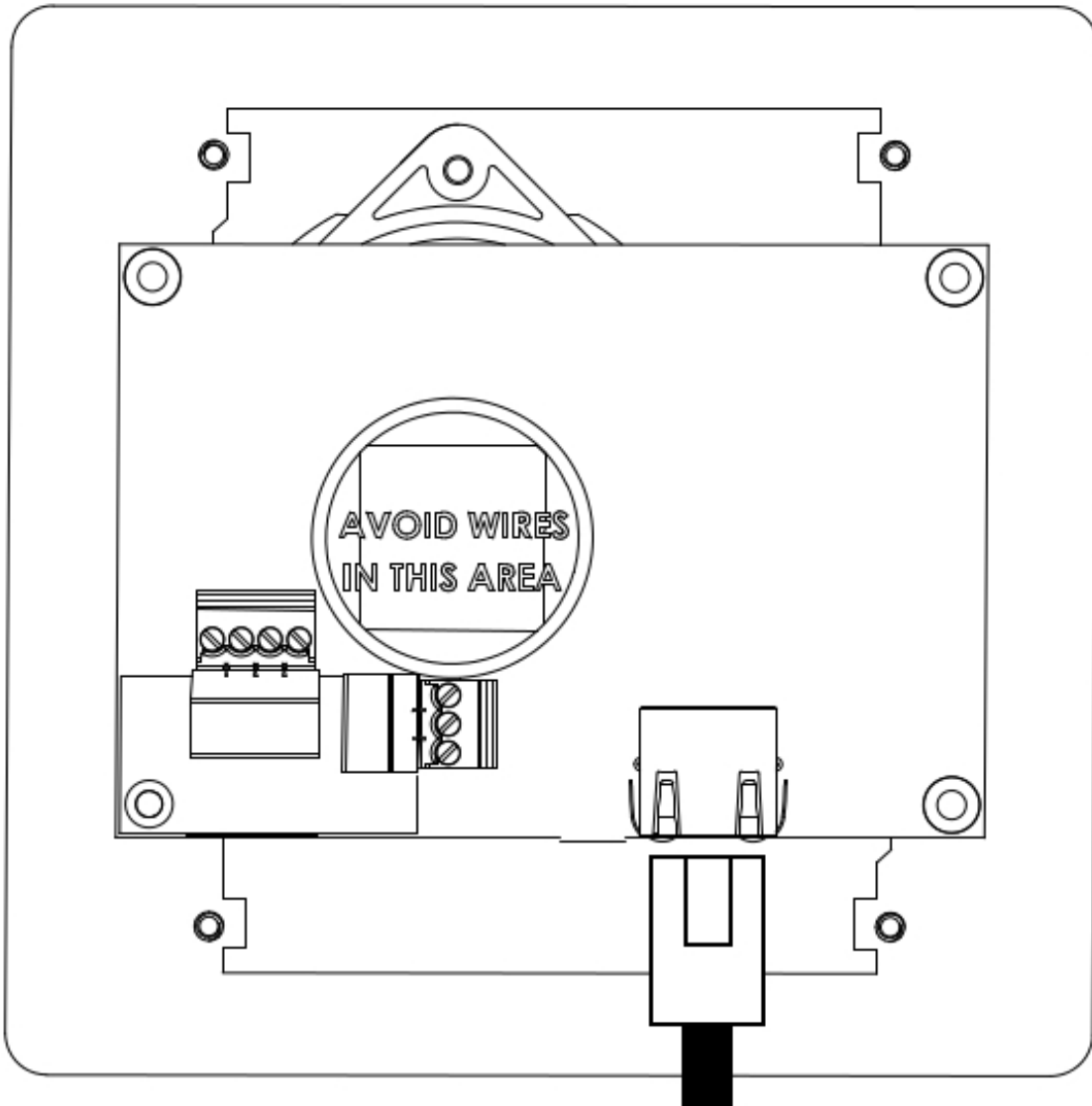
Model Numbers:

Date:

Location:

Notes:

Ethernet Connection



NOTE: Ethernet cable can ONLY be installed in the orientation shown.

Job Name:

Model Numbers:

Date:

Location:

Notes: