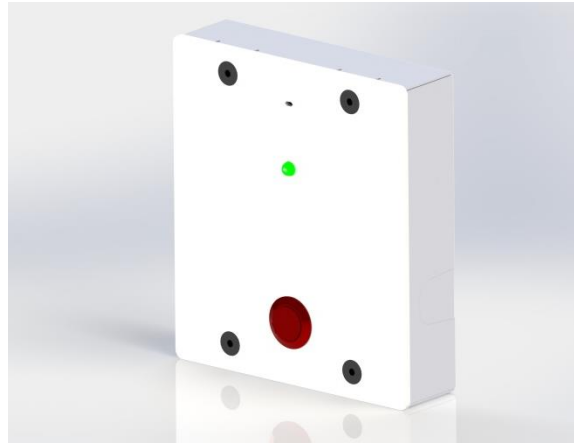


IP Panic Button



Description

Stand-alone SIP Panic Button designed and manufactured in the USA. With its low profile, the Wahsega IP Panic button can be discretely placed under a desk or other secure location. Users can place an emergency SIP call to a preconfigured phone number, and the answering party can listen in to assess the situation. Perfect for use in schools and universities, banks, medical facilities and multi-tenant office buildings, the Wahsega IP Panic Button has an integrated microphone for high quality SIP audio and an on-board relay which can trigger security devices like a camera or a door lock. Advanced button press technology allows the unit to call one number with a short button press and another number with a long button press. Setup is quick and easy with simple configuration webpages which are accessible from any Web browser on the same network. Each unit is powered via Power-over-Ethernet (PoE), using just one cable for both communication and power.

Features:

- SIP compliant
- Peer-to-peer SIP capable
- PoE 802.3af enabled (Power-over-Ethernet)
- Environmental noise suppression
- On-board relay
- Advanced button press functionality
- Fully configurable via webpages
- Web-based volume control
- LED indicator light

Job Name: **Model Numbers:** **Date:**

Location: **Notes:**

Specifications

- Ethernet: 10/100 Mbps (Can force 10Mbps full-duplex)
- Protocol: SIP RFC 3261 compatible
- Temperature Range: -40°C to +85°C
- Audio Codecs: G.711, G.726 (16/24/32/40kbps), G.722, DVI4 (narrow/HD/Ultra HD), iLBC, Speex, SILK
- Audio Sampling: Up to 48KHz
- Form C (SPDT) Relay Contact Closure Rating: 30VDC or 270VAC, 3A
- Dimensions: 4.87" x 4.35" x 1.18" (H x W x D)
- Warranty: 2 years limited
- Regulatory Compliance: FCC Class B
- Power Input: PoE 802.3af

Model Numbers

Wahsega Labs	Panic Button	Mic	Protocol	Color	Relay
WL	PB	M	SIP	W	R
Wahsega Labs	PB = Panic Button	M = Microphone	SIP	W = White	R = with Relay

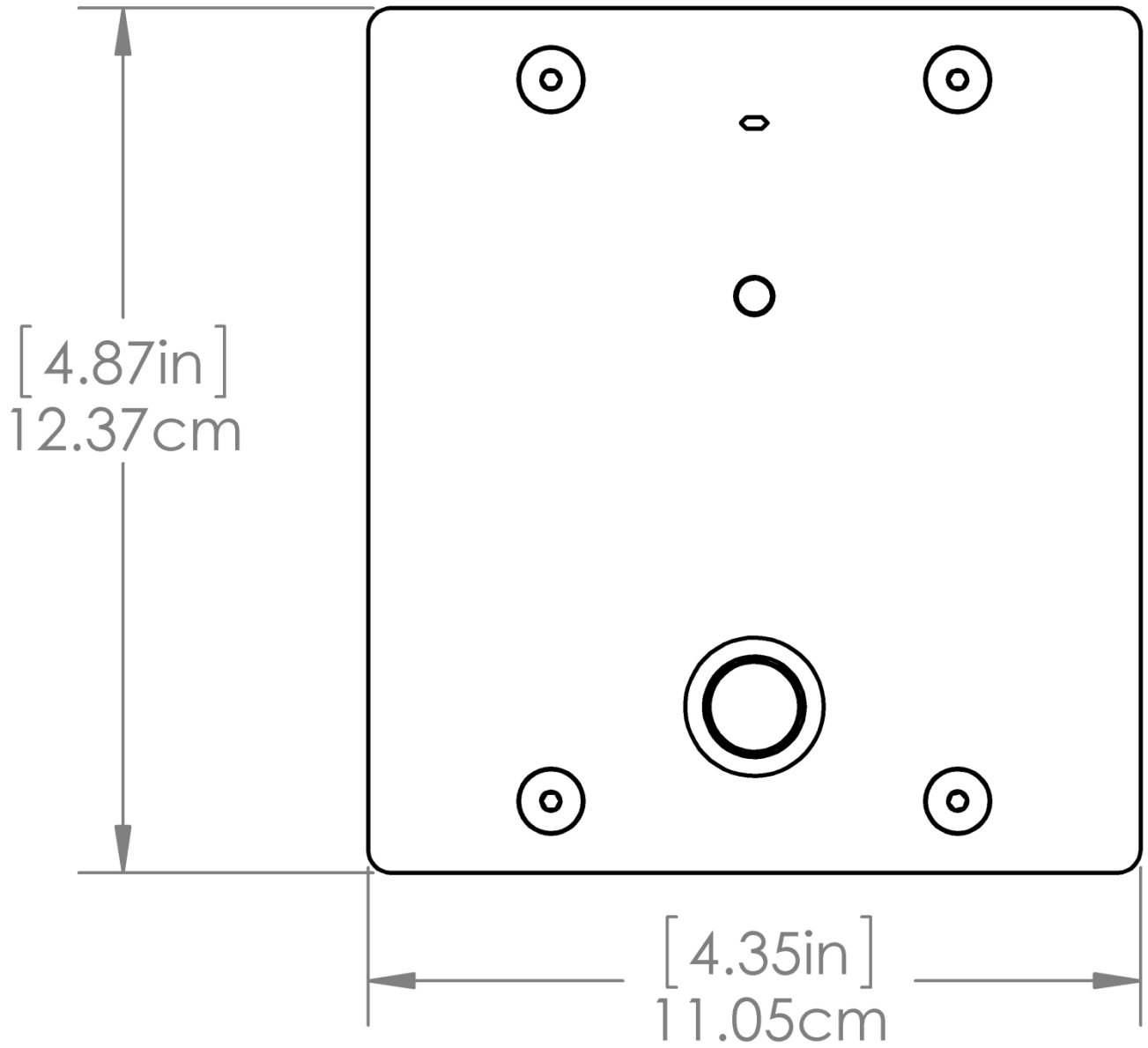
WL-PBM-SIP-W-R

Wahsega Labs
Panic Button
with Microphone
SIP
White
with Relay

Job Name: **Model Numbers:** **Date:**

Location: **Notes:**

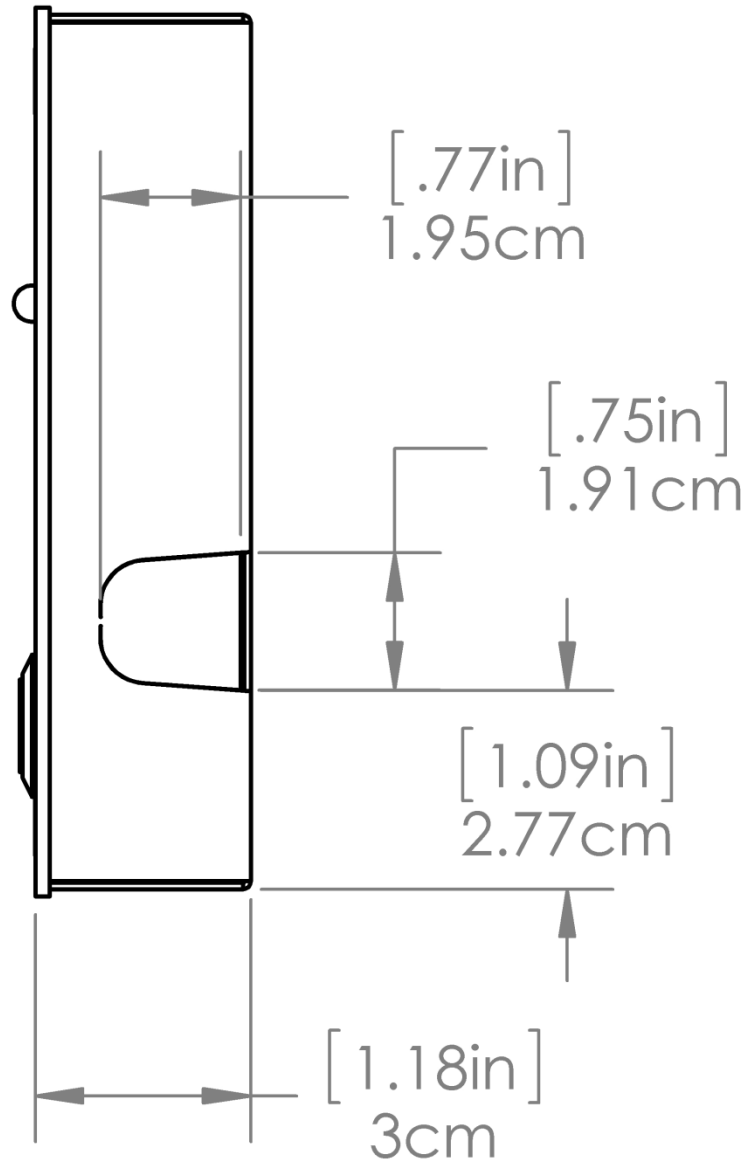
Dimensions



WL-PBM-SIP-W-R
Front view

Job Name: Model Numbers: Date:

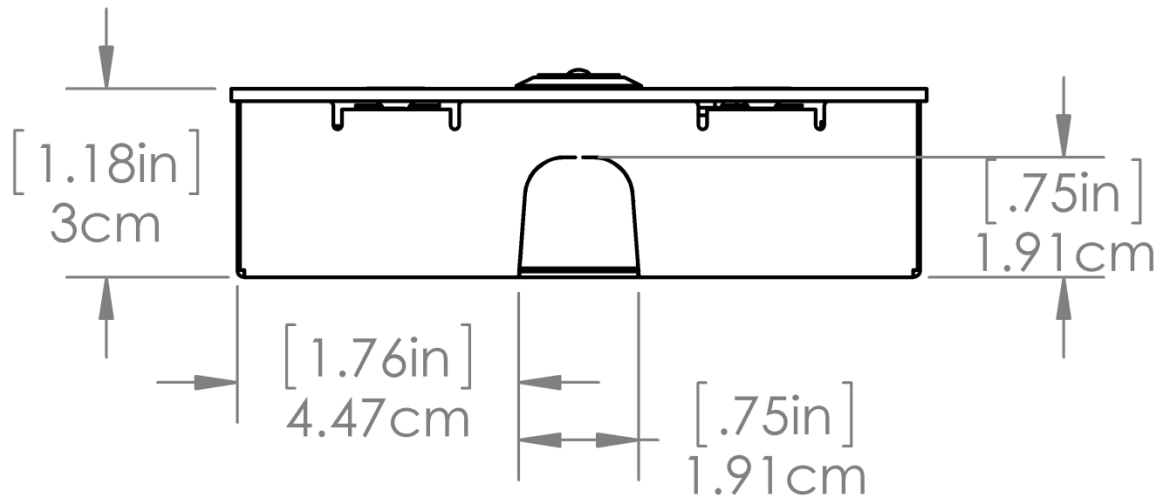
Location: Notes:



WL-PBM-SIP-W-R
Side view

Job Name: Model Numbers: Date:

Location: Notes:

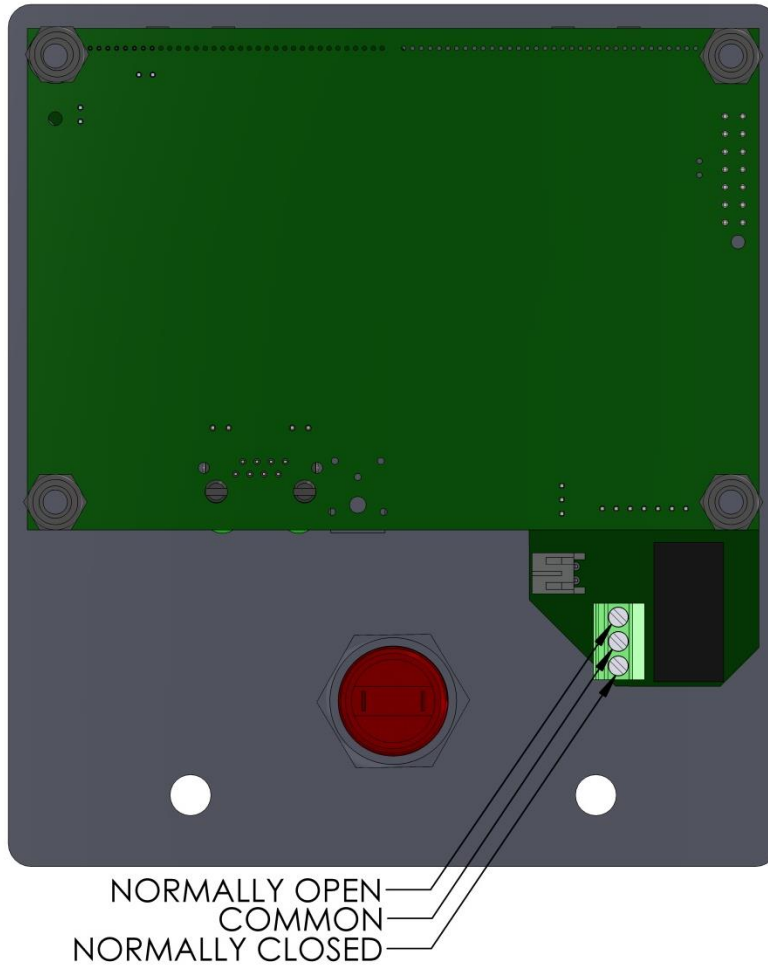


WL-PBM-SIP-W-R
Top view

Job Name: Model Numbers: Date:

Location: Notes:

Class 2 (PELV) Terminal Connections



Job Name: Model Numbers: Date:

Location: Notes: