

IP Paging Zone Controller with InformaCast

Installer's Guide



Getting Started

This step-by-step guide will help you install your Wahsega IP Paging Zone Controller with InformaCast.

What's in the Box



(1) IP Paging Zone Controller with InformaCast

(1) Ferrite cable clamp

What You Will Need

- **PoE power**
 - Power-over-Ethernet (PoE) injector
or
 - PoE capable switch

- **Remote communication point**
 - InformaCast Server

- **Network cable** (Cat 5 or Cat 6)

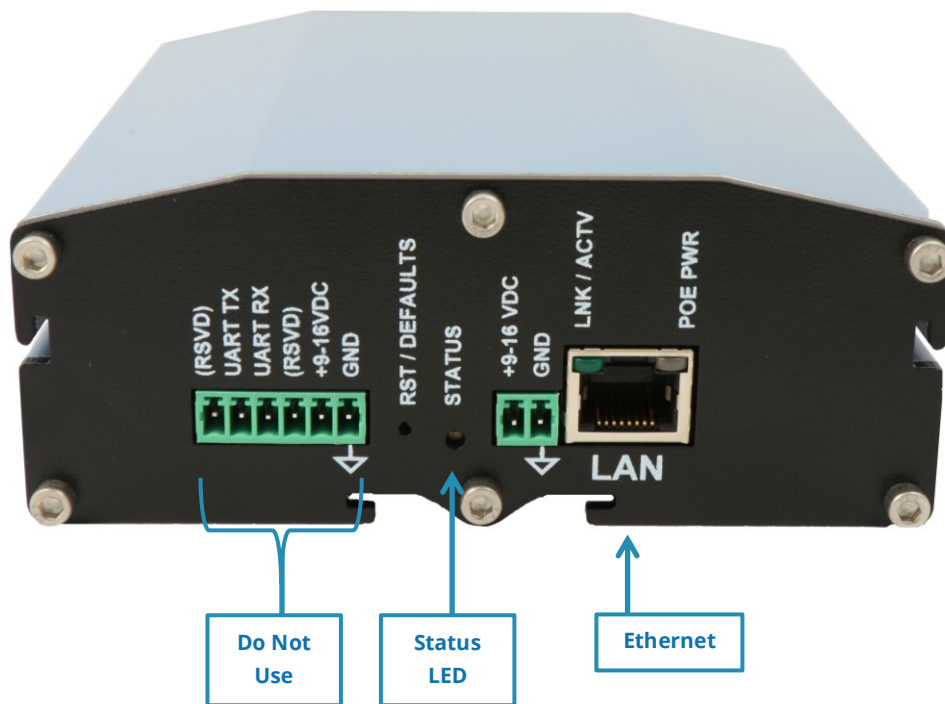
- **Audio cable(s) with RCA mono male connector**

Wiring

Power

To use Power-over-Ethernet (PoE), route a Cat 5 or Cat 6 Ethernet cable through a PoE injector to the LAN port.

The status LED will increase in brightness as the zone controller is powering up and will remain steadily lit when the unit is successfully powered.



Audio Inputs / Outputs

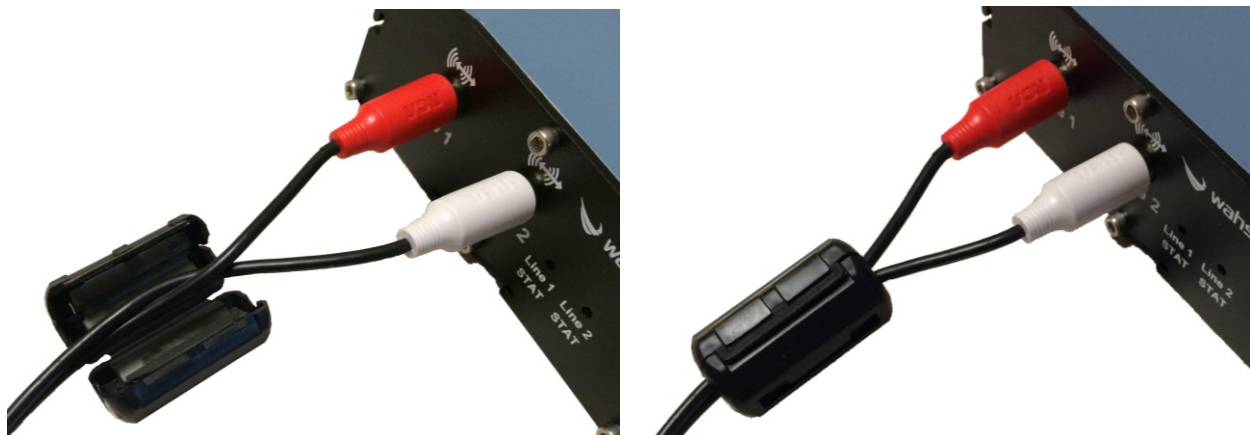
Line 1 & Line 2 – Connect audio in or out via RCA mono connectors. For best results, use a mono audio source when sending and plug into MONO amp when receiving. Configure audio settings in software as described in [User's Guide](#).

Line 1 STAT & Line 2 STAT – Not used.



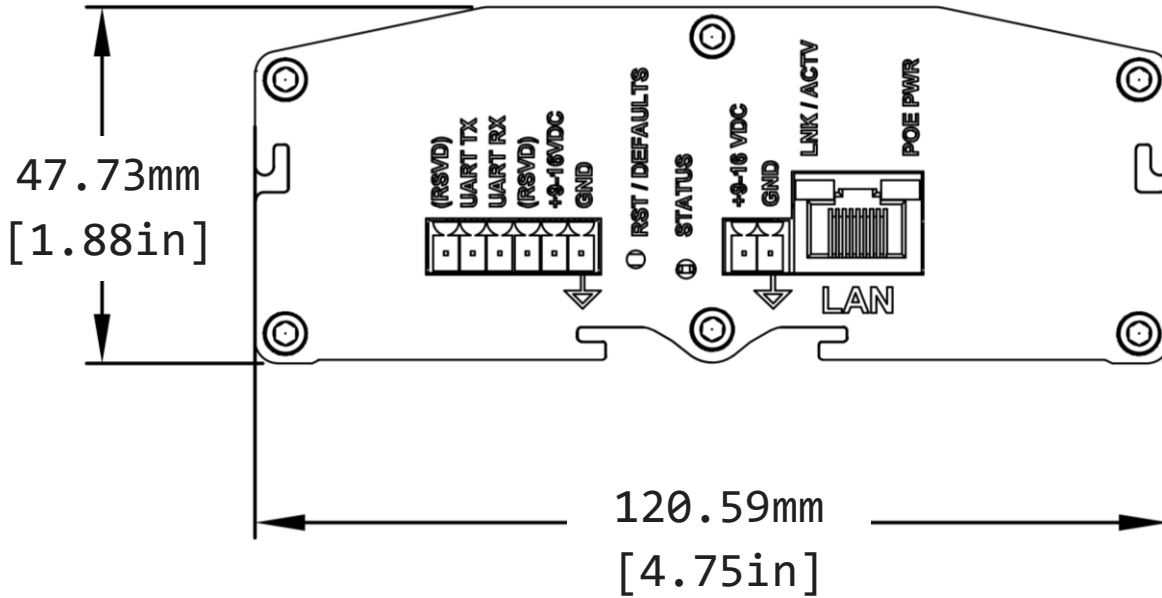
Ferrite Clamp

Secure included ferrite clamp over both cables within 4" of connectors, as shown below.

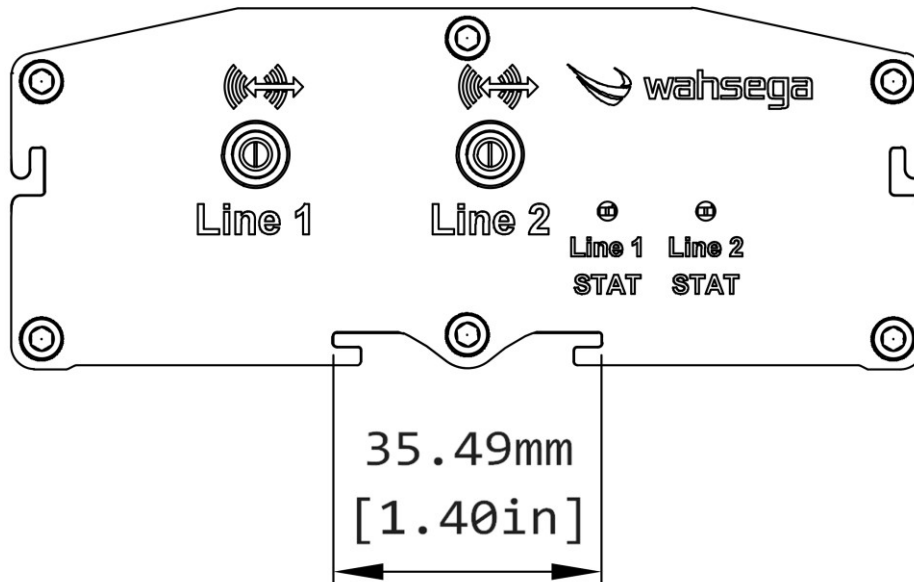


Dimensions

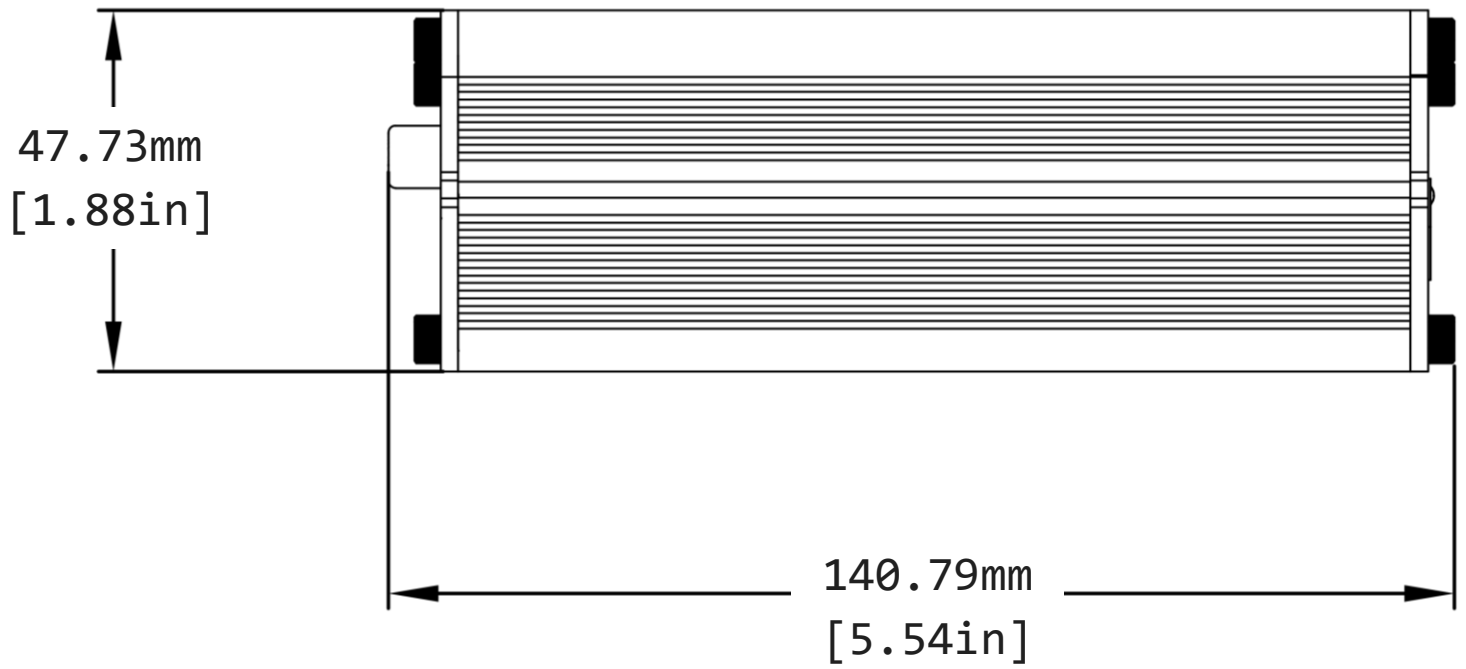
Width and Height



DIN Rail Notch



Depth and Height



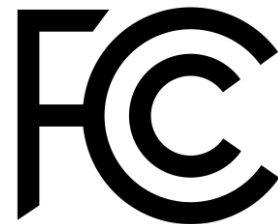
Standards Compliant

The IP Paging Zone Controller with InformaCast meets or exceeds the following RF emissions standards:

- FCC 47 CFR Part 15 Subpart B
- Industry Canada ICES-003 Issue 5
- Cet appareil numérique de la classe A est conforme à la norme ICES-003 du Canada.

This product is designed and manufactured in the USA.

- ISO 9001:2008 certified factory
- ROHS compliant
- Industrial temperature -40C to +85C.



IP Paging Zone Controller with InformaCast

WL-ZN-CTR-1CH-INF

WL-ZN-CTR-2CH-INF

Installation Guide

Rev B 4.1.2016