

Back Mount InformaCast® Access Control Intercom with Relay



Description

Weatherproof InformaCast®-enabled outdoor IP intercom designed and manufactured in the USA and intended for exterior wall or pedestal mounting. With dual registration capabilities, the Wahsega Access Control Intercom with InformaCast can broadcast InformaCast emergency pages and conduct a normal call on a SIP PBX via a single IP endpoint. It has a durable steel housing, included vandal-resistant security screws, and an optional steel weather hood, making it the perfect solution for a secure outdoor installation. Quickly configure each unit using the included Web interface, accessible with a browser from any device on the local network. Available in one-button, two-button and no-button configurations, with optional weather hood. *Note: Ethernet cable may only be connected through the rear conduit access for this model.*

Features:

- Dual registration (SIP and InformaCast)
- PoE 802.3af enabled (Power-over-Ethernet)
- Environmental noise suppression
- Full-duplex audio with Acoustic Echo Cancellation (AEC)
- Fully configurable via webpages
- On-board relay for door latches
- Peer-to-peer SIP capable
- IP paging speaker feature
- Mic and speaker volume control
- IP65 weather protection (conformal coated internal circuitry)
- Security screws included
- Optional weather hood available

Job Name: Model Numbers: Date:

Location: Notes:

Specifications

- Ethernet: 10/100 Mbps (Can force 10Mbps Full-Duplex)
- Protocol: SIP RFC 3261 Compatible
- Temperature Range: -40°C to +85°C
- Audio Codecs: G.711, G.726 (16/24/32/40kbps), G.722, DVI4 (narrow/HD/Ultra HD), iLBC, Speex, SILK
- Audio Sampling: Up to 48KHz
- Form C (SPDT) Relay Contact Closure Rating: 30VDC or 270VAC, 3A
- Dimensions: 5.96" x 5.88" x 2.88" (H x W x D)
- Warranty: 2 years limited
- Regulatory Compliance: FCC Class B
- Power Input: PoE 802.3af

Model Numbers

Wahsega Labs	Intercom	Mount	Protocol	Options	Color	Relay
WL	IC	BKMT	INF	OV		R
Wahsega Labs	Intercom	2GANG = 2-Gang BKMT = Back Mount FLMT = Flush Mount	InformaCast	O = Outdoor I = Indoor V = Vandal Resistant (Outdoor only) NB = No Button 2B = Two Buttons	Blank = Brushed Metal W = White Glossy (Interior only)	Relay

WL-IC-2GANG-INF-OV-R

Wahsega Labs
Intercom
2-Gang
InformaCast + SIP
Outdoor
Vandal Resistant
Brushed Metal
with Relay

WL-IC-BKMT-INF-OV-R

Wahsega Labs
Intercom
Back Mount
InformaCast + SIP
Outdoor
Vandal Resistant
Brushed Metal
with Relay

WL-IC-FLMT-INF-I-W-R

Wahsega Labs
Intercom
Flush Mount
InformaCast + SIP
Indoor
White
with Relay

Available Back Mount InformaCast Access Control Intercom w Relay Model Numbers:

WL-IC-BKMT-INF-OV-R
WL-IC-BKMT-INF-OVNB-R
WL-IC-BKMT-INF-OV2B-R

Optional Weather Hood (back mount only):

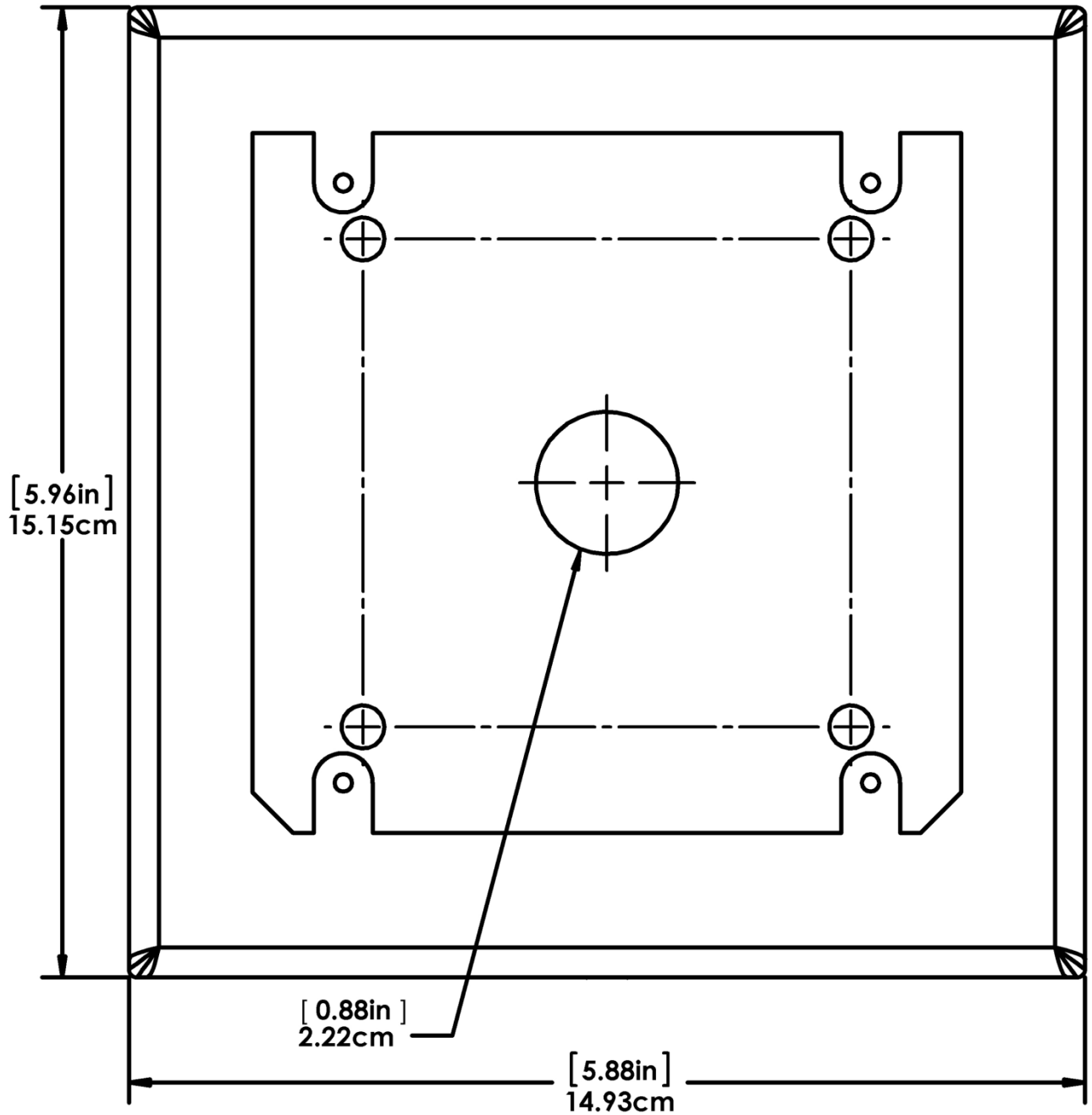
WL-BKMT-HOOD-OV



Job Name: Model Numbers: Date:

Location: Notes:

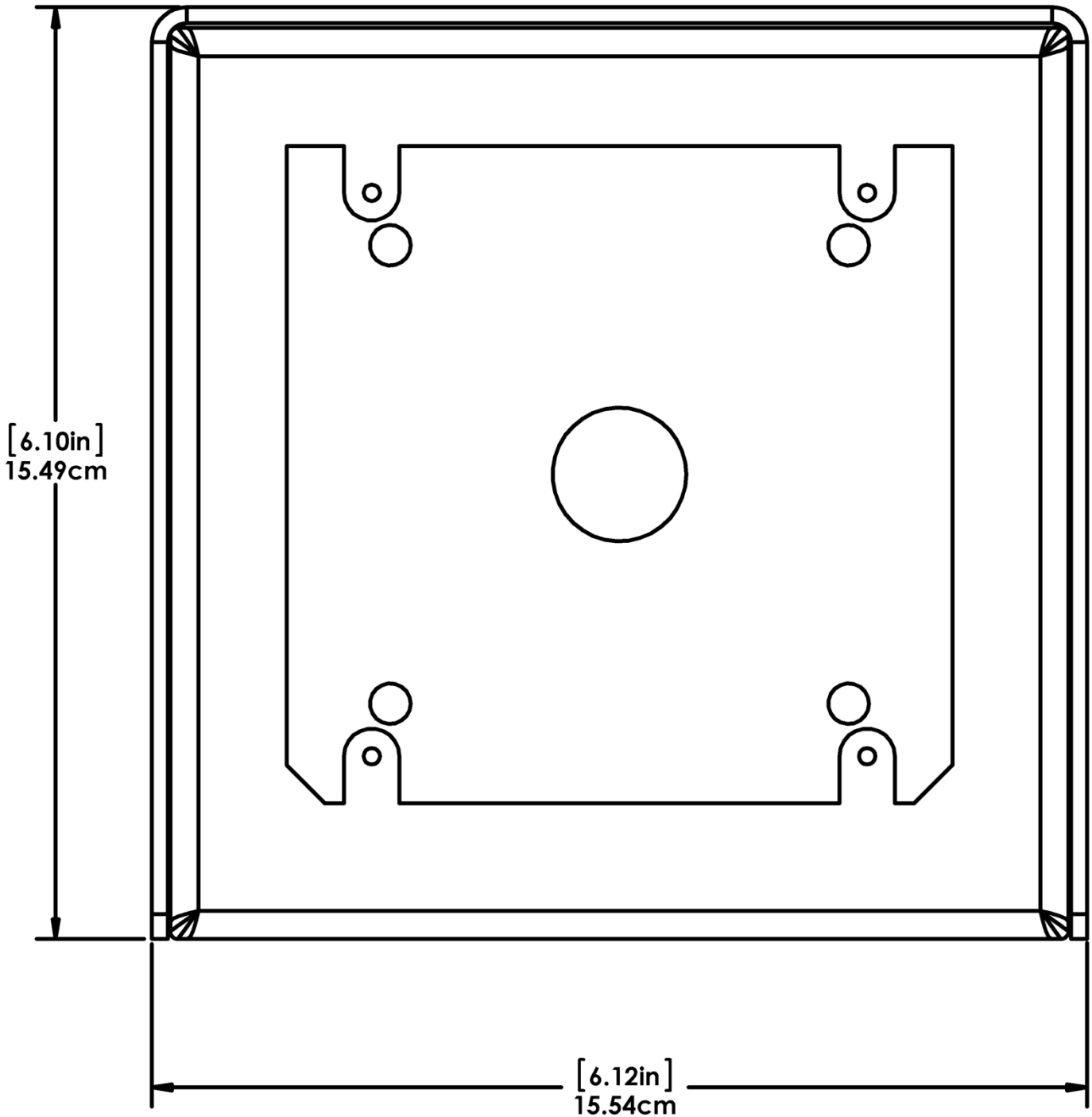
Dimensions



WL-IC-BKMT-INF-OV-R
Front view

Job Name: Model Numbers: Date:

Location: Notes:



WL-IC-BKMT-INF-OV-R
Front view with weather hood

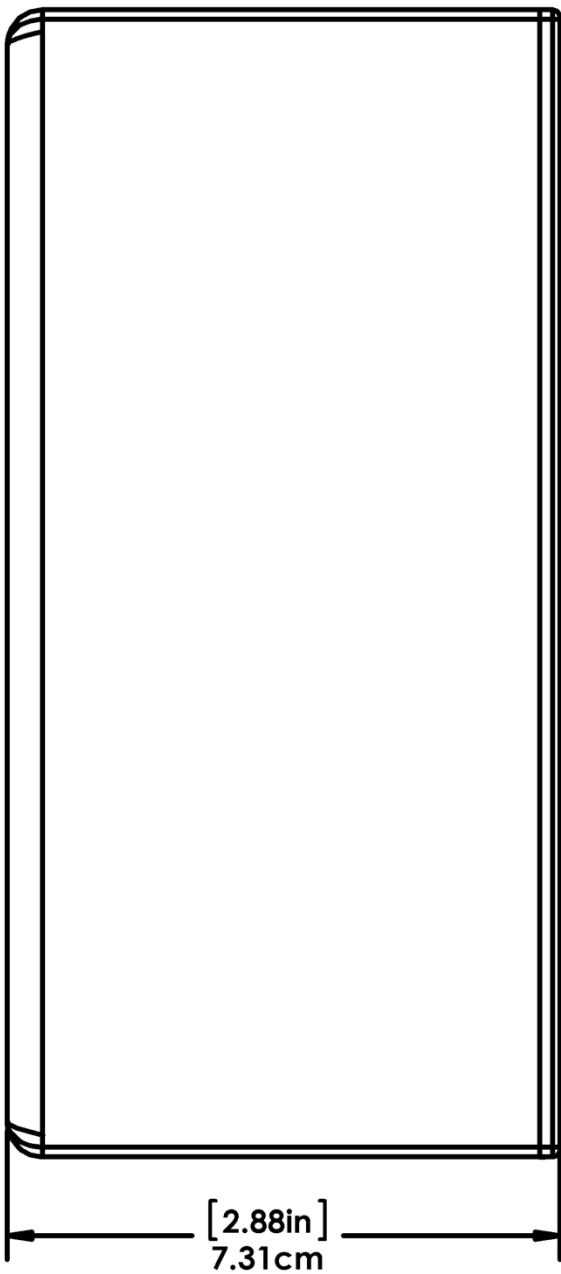
Job Name:

Model Numbers:

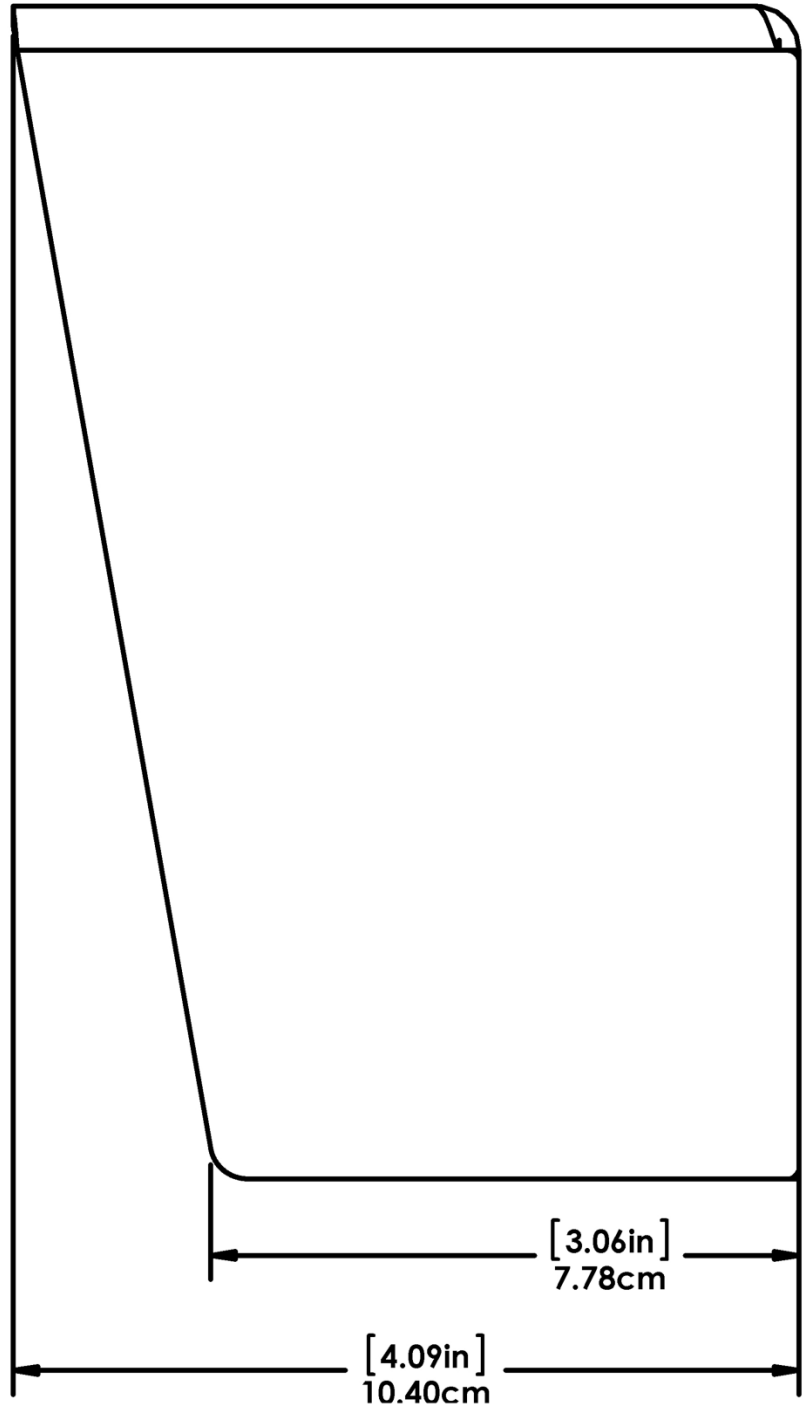
Date:

Location:

Notes:



WL-IC-BKMT-INF-OV-R
Side view



WL-IC-BKMT-INF-OV-R
Side view with weather hood

Job Name:

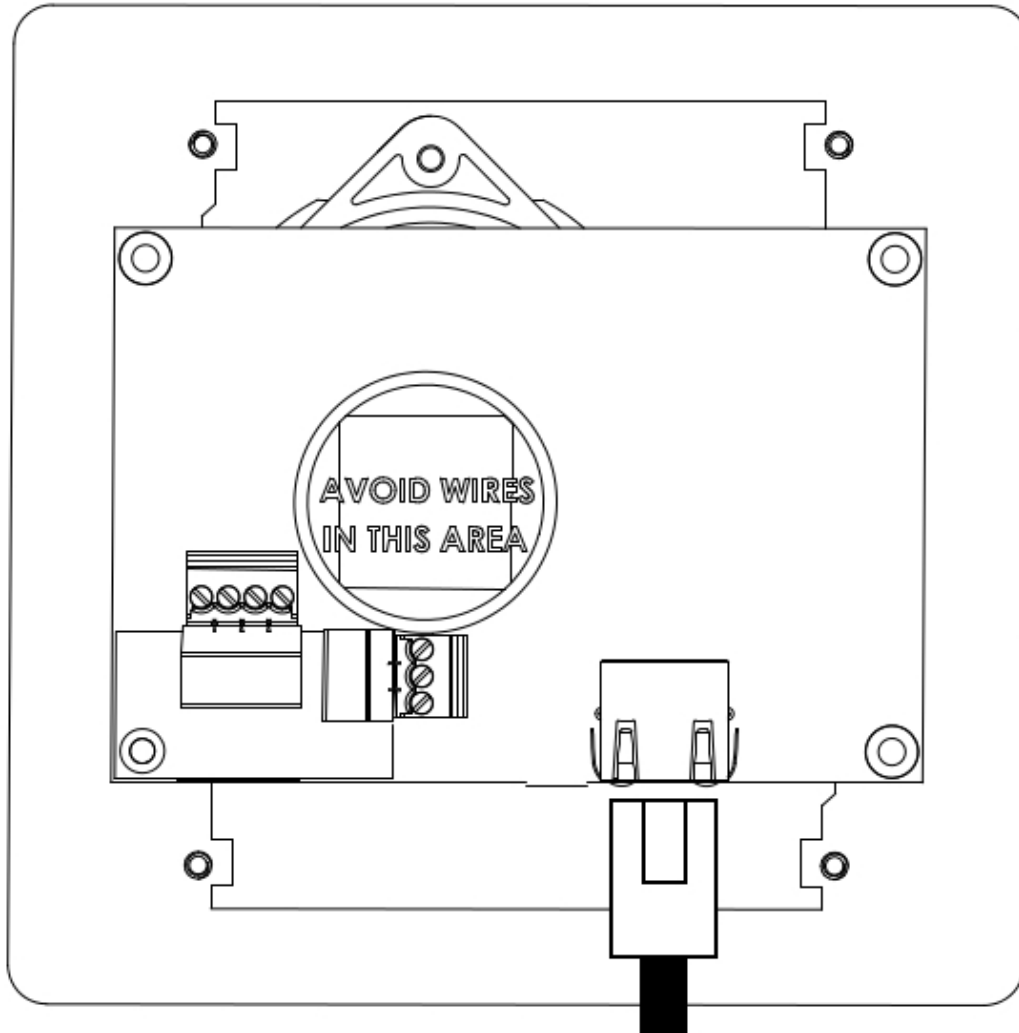
Model Numbers:

Date:

Location:

Notes:

Ethernet Connection



NOTE: Ethernet cable can ONLY be installed in the orientation shown.

Job Name: Model Numbers: Date:

Location: Notes:

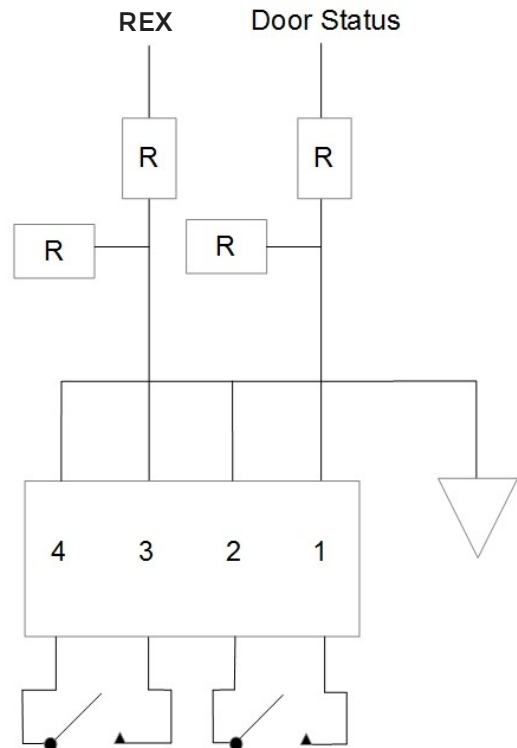
Door Status Monitor & Request to Exit (REX) Button Wiring

Pin 1: Door status monitor line.
Wired as ground/open button or switch.
Connect to NO of an SPDT.

Pin 2: Door status ground reference pin.
Connect to Common.

Pin 3: REX button and/or motion exit sensor.
Can be wired as ground/open button or switch. Connect to the NO of an SPDT.

Pin 4: REX ground reference pin.
Connect to Common.



NOTE: The REX input can be wired in parallel with an REX button and an exit motion sensor. Both REX and door status inputs go to Normally Open (NO) connections on corresponding devices.

Job Name: Model Numbers: Date:

Location: Notes: