

Flush Mount SIP Access Control Intercom



Description

Indoor IP intercom designed and manufactured in the USA. With the highest quality two-way audio in the industry, it is perfect for use in schools and universities, warehouses, secure locations, parking garages, and retail locations. Using PoE power, installation is simple and secure with optional vandal resistant security screws. Quickly configure each unit using the included Web interface that can be accessed from any device on the local network with an internet browser. Electrical junction box enclosure not included.

Features:

- SIP Compliant
- PoE 802.3af enabled (Power-over-Ethernet)
- Environmental noise suppression
- Full-duplex audio with Acoustic Echo Cancellation (AEC)
- Fully configurable via webpages
- Peer-to-peer SIP capable
- Can act as a paging speaker
- On-board driver for door latches
- Mic and speaker volume control

Job Name:

Model Numbers:

Date:

Location:

Notes:

Specifications

- Ethernet: 10/100 Mbps (Can force 10Mbps Full-Duplex)
- Protocol: SIP RFC 3261 Compatible
- Temperature Range: -40°C to +85°C
- Audio Codecs: G.711, G.726 (16/24/32/40kbps), G.722, DVI4 (narrow/HD/Ultra HD), iLBC, Speex, SILK
- Audio Sampling: Up to 48KHz
- Dimensions: 5.11" H x 5.17" W x 2.81" D
- Backbox required: 4 11/16" H x 4 11/16" W x **minimum** 2 1/2" D
- Warranty: 2 years limited
- Regulatory Compliance: FCC Class B
- Power Input: PoE 802.3af

Model Numbers

Wahsega Labs	Intercom	Mount	SIP	Options	Color
WL	IC	FLMT	SIP	INB	W
Wahsega Labs	Intercom	2GANG = 2-Gang BK = Back FL = Flush MT = Mount	SIP	O = Outdoor I = Indoor V = Vandal Resistant (Outdoor only) NB = No Button 2B = Two Buttons	W = White Glossy (Interior only) Blank = Gray Powdercoat

WL-IC-2GANG-SIP-OV

Wahsega Labs
 Intercom
 2-Gang
 SIP
 Outdoor
 Vandal Resistant

WL-IC-BKMT-SIP-OV

Wahsega Labs
 Intercom
 Back Mount
 SIP
 Outdoor
 Vandal Resistant

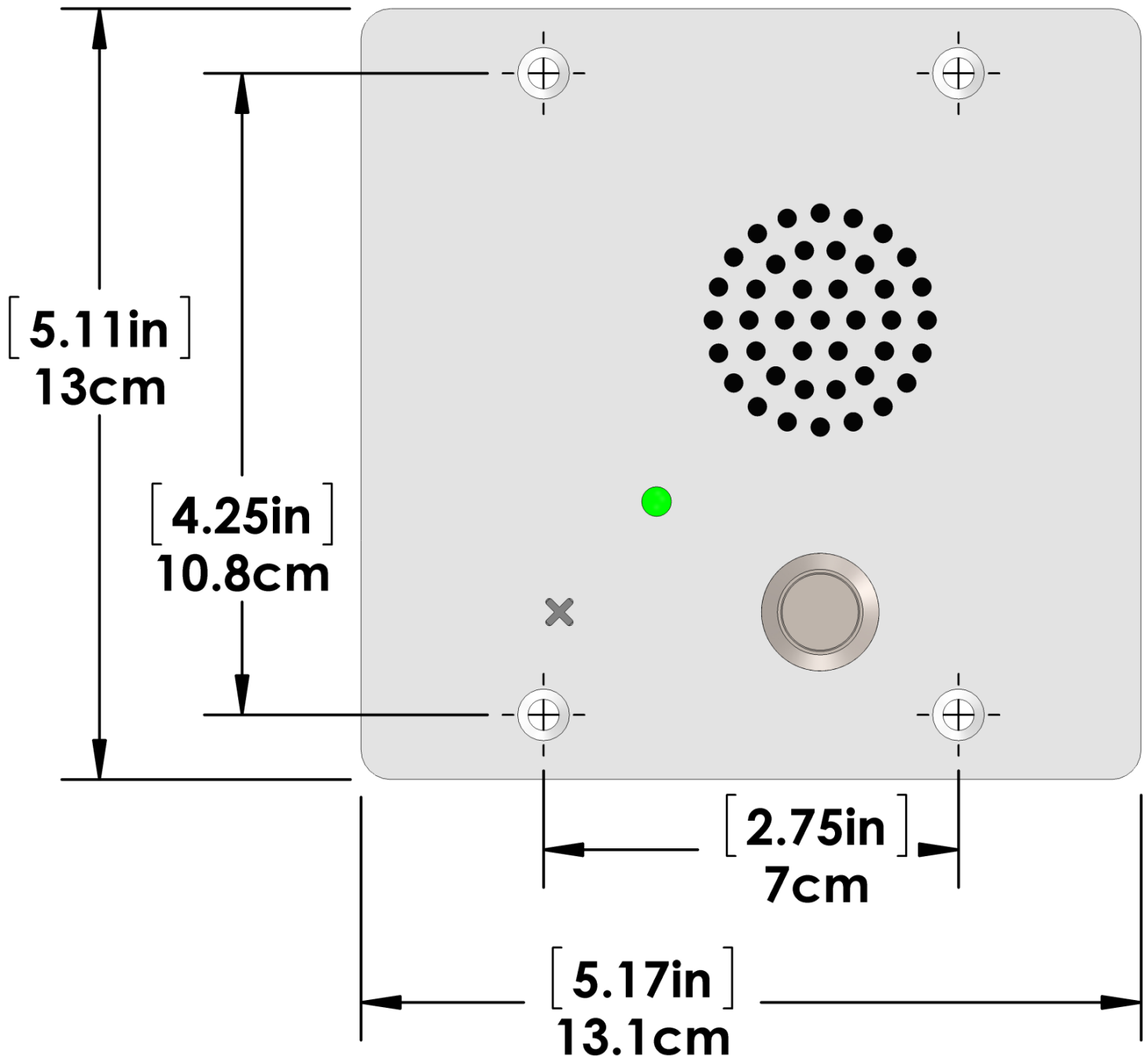
WL-IC-FLMT-SIP-I-W

Wahsega Labs
 Intercom
 Flush Mount
 SIP
 Indoor
 White

Job Name: Model Numbers: Date:

Location: Notes:

Dimensions



WL-IC-2GANG-SIP-OV

Front view

(to scale)

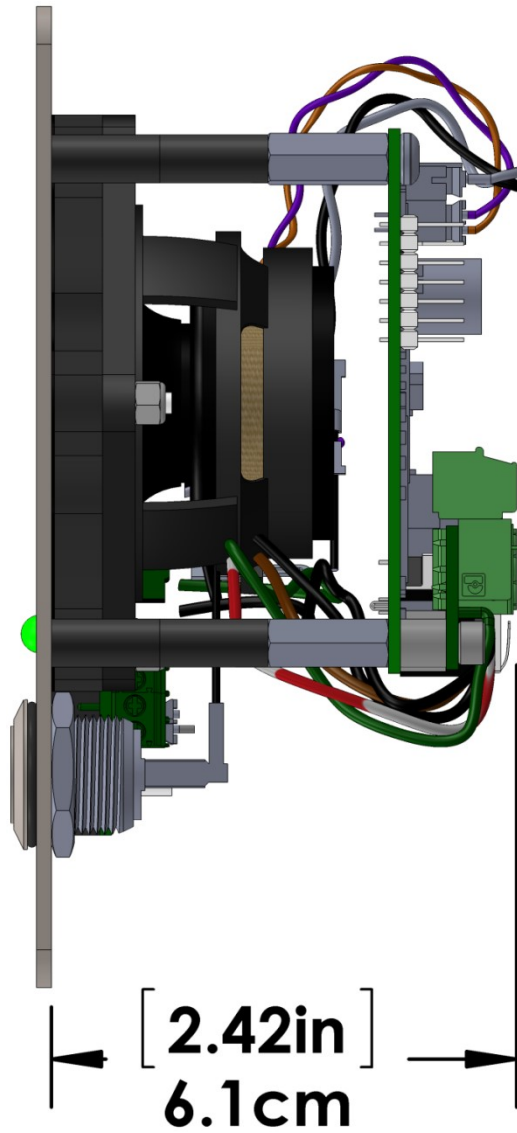
Job Name:

Model Numbers:

Date:

Location:

Notes:



WL-IC-2GANG-SIP-OV
Side view
(to scale)

Job Name:

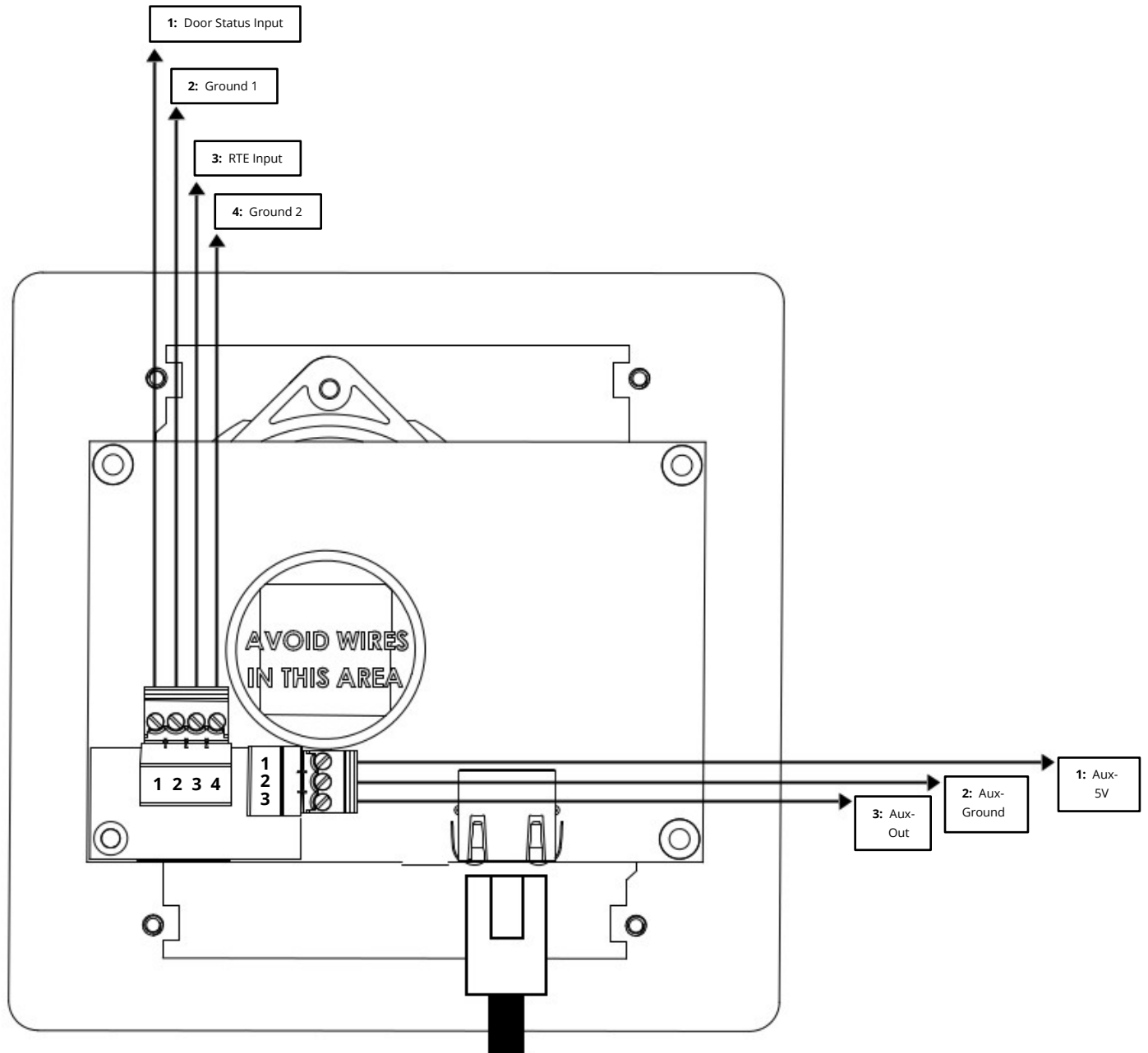
Model Numbers:

Date:

Location:

Notes:

Class 2 (PELV) Terminal Connections



NOTE: Ethernet cable can ONLY be installed in the orientation shown.

Job Name:

Model Numbers:

Date:

Location:

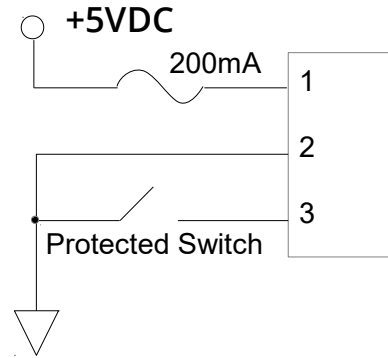
Notes:

Auxiliary Output (Door Control) Wiring

Pin 1: 200mA fused 5V DC – to external relay

Pin 2: Ground

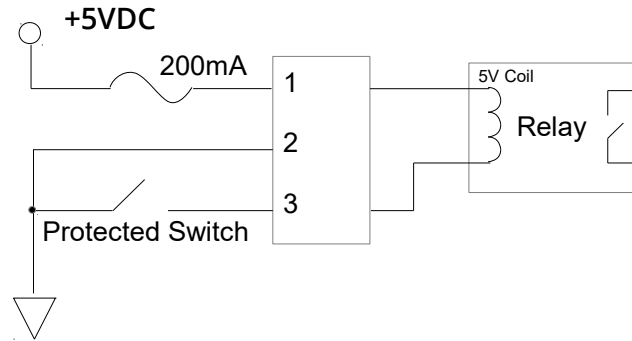
Pin 3: Connect to external devices up to 24V DC.
Can sink up to 1.5A



External Relay

Pin 1: 5V DC relay coil high side
(if polarized)

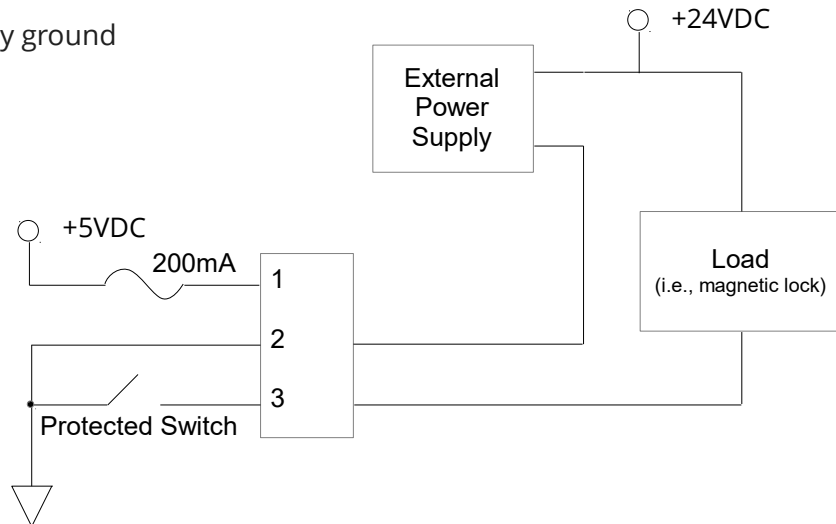
Pin 3: 5V DC relay coil low side



Externally Powered Device

Pin 2: External power supply ground

Pin 3: Ground return path
for external load
(e.g., magnetic lock)



Job Name:

Model Numbers:

Date:

Location:

Notes:

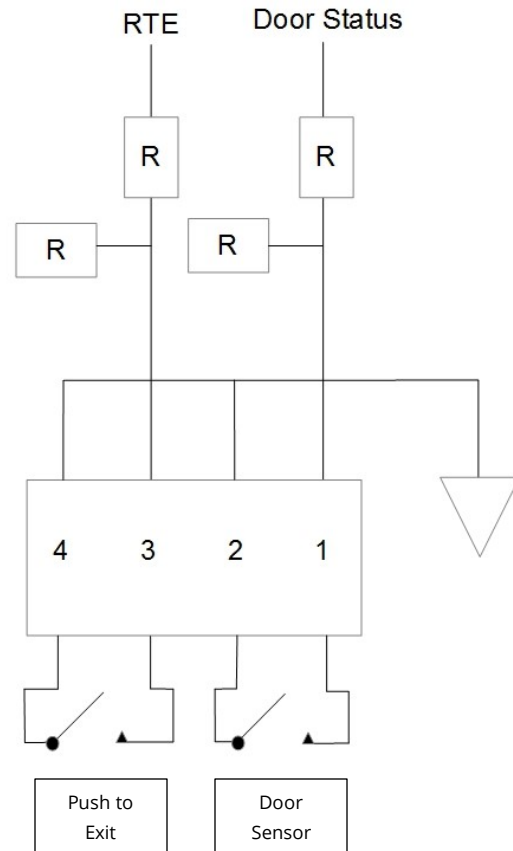
Door Status Monitor & Request to Exit (RTE) Button Wiring

Pin 1: Door status monitor line.
Wired as ground/open button or switch.
Connect to NO of an SPDT.

Pin 2: Door status ground reference pin.
Connect to Common.

Pin 3: RTE button and/or motion exit sensor.
Can be wired as ground/open button or switch. Connect to the NO of an SPDT.

Pin 4: RTE ground reference pin.
Connect to Common.



NOTE: The RTE input can be wired in parallel with an RTE button and an exit motion sensor. Both RTE and door status inputs go to Normally Open (NO) connections on corresponding devices.

Job Name:

Model Numbers:

Date:

Location:

Notes: